

# LINEAR ACTUATOR



ALF Motion Control

# ALF-AGA-FS

## MINIATURE LINEAR DC ACTUATORS

Small motor actuator with ACME screws, built-in Micro switch and an internal diode, can automatically stop and enables the change of direction by simply reversing the applied voltage polarity. stroke length can be customized. switches are not made to be adjustable. waterproof can work under the water

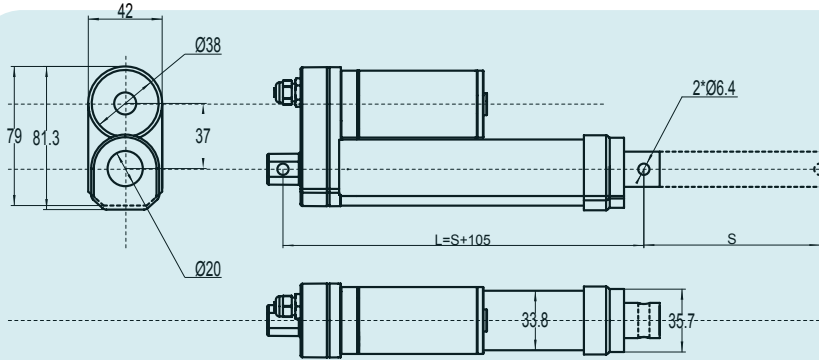
### MECHANICAL DATE

- Operating temperature: -20°C ~ +65°C
- Aluminium outer tube and stroke rod
- Protection IP67
- Voltage: 12V, 24V, 36V, 48VDC
- Preset limit switches
- Powder metallurgy gear

### FORCE DATA

- Max load: 1200N
- Duty cycle 20% 20% (High-speed linear 10%)
- Max static force: 2300N
- Life time 50 000 complete cycles

### DIMENSIONAL DRAWING



L1=retracted length

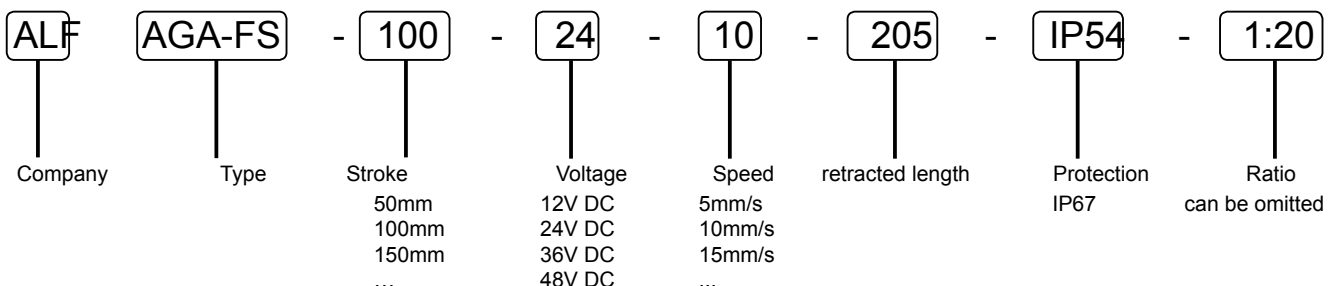
Stroke (±2 mm)	<50	50	100	150	200	250
Retracted length (L1)(±2 mm)	155	155	205	255	305	355
Weight (kg)	1	1	1.06	1.18	1.24	1.3

### PERFORMANCE DIAGRAMS

Note: The ambient temperature of the test current is 20

Ratio	Screw	no-load	load	max push	max pull	static load	N0 load current	load current	No-Load current	Load current	No-Load current	Load current	No-Load current	Load current
		MM/S	MM/S	N	N	N	12V	12V	24V	24V	36V	36V	48V	48V
1:20	1.75	5	3.2	900	800	2300	0.8	3	0.4	1.5	0.3	1	0.2	0.75
	3.175	10	6.5	750	600	2000	0.8	3	0.4	1.5	0.3	1	0.2	0.75
	5	15	9	600	500	700	0.8	3	0.4	1.5	0.3	1	0.2	0.75
	6	20	13	450	400	600	0.8	3	0.4	1.5	0.3	1	0.2	0.75
	7.5	25	17	350	300	400	0.8	3	0.4	1.5	0.3	1	0.2	0.75
	9	30	21	300	250	320	0.8	3	0.4	1.5	0.3	1	0.2	0.75
	12	40	30	200	150	200	1.1	3	0.5	1.5	0.3	1	0.2	0.75
1:33	1.75	3	2.2	1200	1000	2300	0.8	3	0.4	1.5	0.3	1	0.2	0.75
	3.175	6	4	900	800	2000	0.8	3	0.4	1.5	0.3	1	0.2	0.75
	5	10	6	800	750	700	0.8	3	0.4	1.5	0.3	1	0.2	0.75
	6	12	7	750	600	600	0.8	3	0.4	1.5	0.3	1	0.2	0.75
	7.5	15	10	700	600	400	0.8	3	0.4	1.5	0.3	1	0.2	0.75
	9	18	12	600	500	320	0.8	3	0.4	1.5	0.3	1	0.2	0.75
12	24	16	450	400	200	1	3	0.5	1.5	0.3	1	0.2	0.75	

### HOW TO ORDER



# ALF-AGA

## MINIATURE LINEAR DC ACTUATORS

Small motor actuator with ACME screws, built-in Micro switch and an internal diode, can automatically stop and enables the change of direction by simply reversing the applied voltage polarity. stroke length can be customized. switches are not made to be adjustable. Inversely proportional to the speed and power.

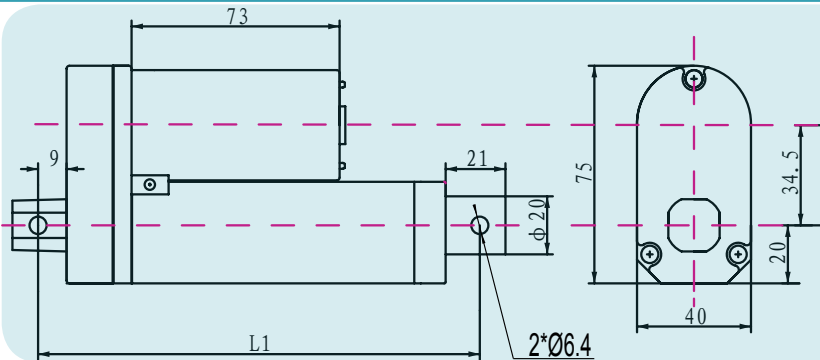
### MECHANICAL DATA

- Operating temperature -20°C~+65°C
- Aluminium outer tube and stroke rod
- Protection IP54 or IP65
- 12 or 24 or 36 or 48VDC
- Preset limit switches
- Powder metal gears
- Aluminium alloy housing
- Low price
- Robust

### FORCE DATA

- Max load 1200N
- Duty cycle 20% (High-speed linear 10%)
- Max static force 2300N
- Life time 50 000 complete cycles

### DIMENSIONAL DRAWING



L1=retracted length

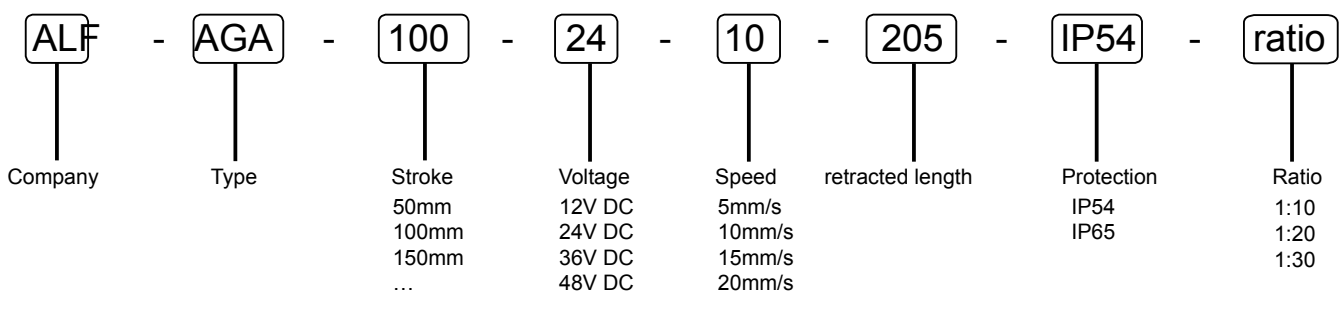
Stroke(±2 mm)	50	100	150	200	250	300
Retracted length (L1)(±2 mm)	155	205	255	305	355	405
Weight (kg)	0.7	0.79	0.88	0.94	1.04	1.11

### PERFORMANCE DIAGRAMS

Note: The ambient temperature of the test current is 20°C

Ratio	Screw	0 load speed	load speed	max push	max pull	static load	0 load current	load current	0 load current	load current	0 load current	load current	0 load current	load current
		MM/S	MM/S	force N	force N	N	12V	12V	24V	24V	36V	36V	48V	48V
1:10	1.75	10	7	600	450	1200	0.8	3	0.4	1.5	0.3	1	0.2	0.75
	3.175	20	15	400	300	1000	0.8	3	0.4	1.5	0.3	1	0.2	0.75
	5	30	24	200	150	600	0.8	3	0.4	1.5	0.3	1	0.2	0.75
	6	40	30	120	100	400	0.8	3	0.4	1.5	0.3	1	0.2	0.75
	7.5	50	40	100	80	300	0.8	3	0.4	1.5	0.3	1	0.2	0.75
	9	60	45	80	50	200	0.8	3	0.4	1.5	0.3	1	0.2	0.75
1:20	1.75	5	3.2	900	800	2300	0.8	3	0.4	1.5	0.3	1	0.2	0.75
	3.175	10	6.5	750	600	2000	0.8	3	0.4	1.5	0.3	1	0.2	0.75
	5	15	9	600	500	700	0.8	3	0.4	1.5	0.3	1	0.2	0.75
	6	20	13	450	400	600	0.8	3	0.4	1.5	0.3	1	0.2	0.75
	7.5	25	17	350	300	400	0.8	3	0.4	1.5	0.3	1	0.2	0.75
	9	30	21	300	250	320	0.8	3	0.4	1.5	0.3	1	0.2	0.75
1:30	1.75	3	2.2	1200	1000	2300	0.8	3	0.4	1.5	0.3	1	0.2	0.75
	3.175	6	4	900	800	2000	0.8	3	0.4	1.5	0.3	1	0.2	0.75
	5	10	6	800	750	700	0.8	3	0.4	1.5	0.3	1	0.2	0.75
	6	13	7	750	600	600	0.8	3	0.4	1.5	0.3	1	0.2	0.75
	7.5	16	10	700	600	400	0.8	3	0.4	1.5	0.3	1	0.2	0.75
	9	20	12	600	500	320	0.8	3	0.4	1.5	0.3	1	0.2	0.75
12	26	16	450	400	200	1	3	0.5	1.5	0.3	1	0.2	0.75	

### HOW TO ORDER



# ALF-AGA-B

## MINIATURE LINEAR DC ACTUATORS

Small motor actuator with ACME screws, built-in Micro switch and an internal diode, can automatically stop and enables the change of direction by simply reversing the applied voltage polarity. stroke length can be customized. switches are not made to be adjustable. Inversely proportional to the speed and power. This product is characteristic of low noise

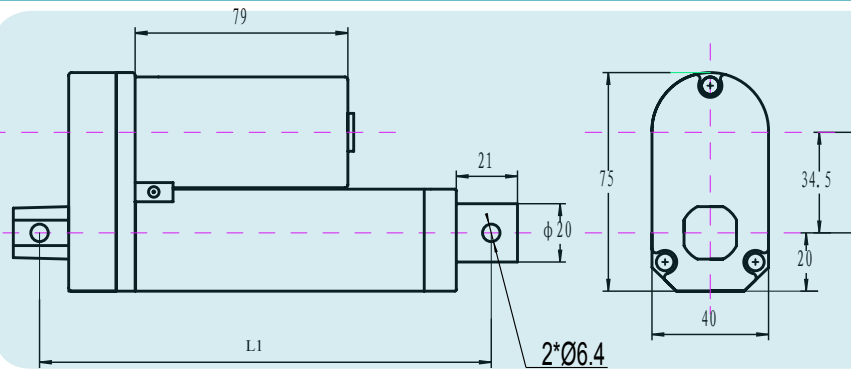
### MECHANICAL DATA

- Operating temperature -20°C~+65°C
- Aluminium outer tube and stroke rod
- Protection IP54 or IP65
- 12 or 24 or 36 or 48VDC
- Preset limit switches
- Silent gears
- Aluminium alloy housing
- Low price
- Robust

### FORCE DATA

- Max load 1000N
- Duty cycle 20% (High-speed linear 10%)
- Max static force 2500N
- Life time 50000 complete cycle

### DIMENSIONAL DRAWING

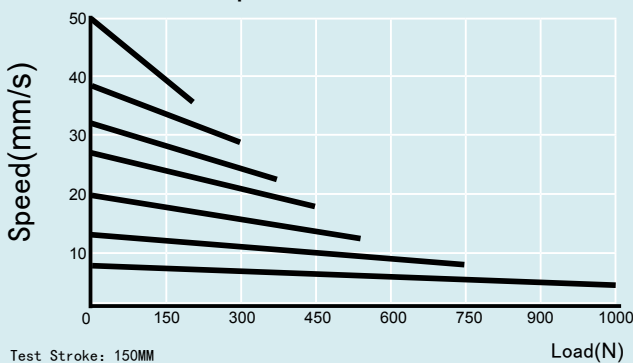


L1=retracted length

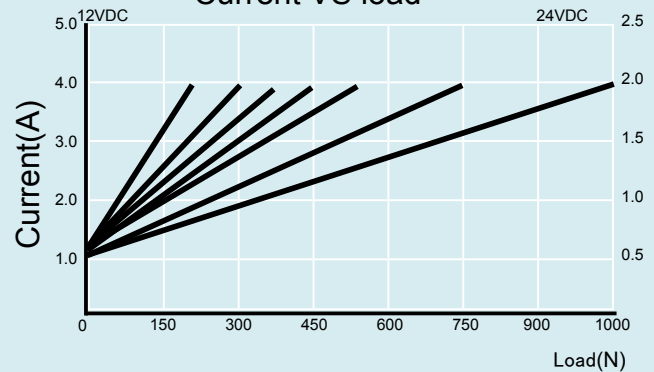
Stroke(±2 mm)	50	100	150	200	250	300
Retracted length (L1)(±2 mm)	155	205	255	305	355	405
Weight (kg)	0.75	0.83	0.92	0.97	1.12	1.22

### PERFORMANCE DIAGRAMS

Speed VS load

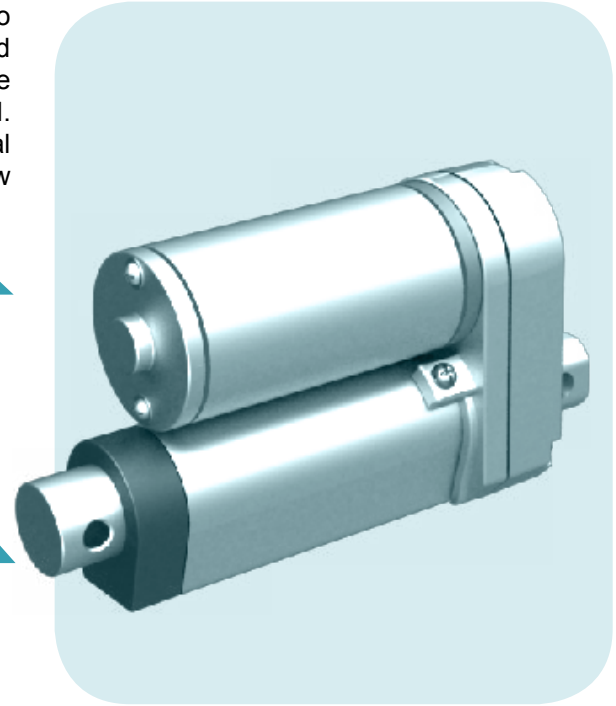


Current VS load



### HOW TO ORDER

ALF	-	AGA-B	-	100	-	24	-	20	-	205	-	IP54	-	E
Company		Type		Stroke 50mm 100mm 150mm ...		Voltage 12V DC 24V DC 36V DC 48V DC		Speed 7mm/s 13mm/s 20mm/s 25mm/s 32mm/s 38mm/s 50mm/s		retracted length		Protection IP54 IP65		Special requirements Other requirements of customers



# ALF-AGA-X

## Introduction of electric linear actuator

This type of compact and lightweight electric linear actuator, made of aluminium, could stop itself by taking dc motor reduction gear ratio. Its adjustable stroke makes it easy to install and operate.

This type of electric linear actuator has external magnetic switch that only feedbacks signals, if wanting to change it into electric signals to stop electric linear actuator, you should connect it to PCB. PCB is optional accessory.



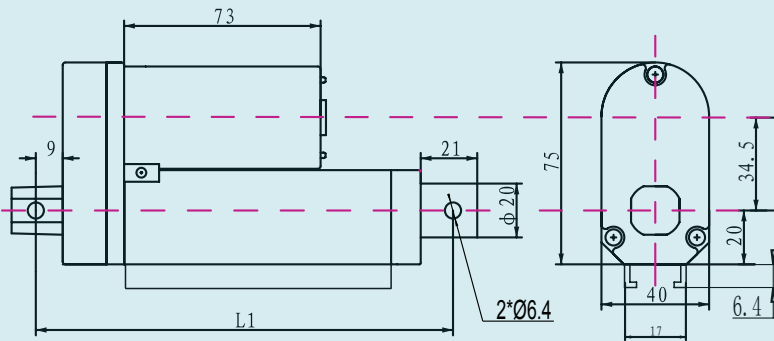
## Machine characters

- Ambient temperature: -20°C~+65°C
- Material: Aluminium alloy outer tube and pushrod
- IP Grade: IP54 or IP65
- Input voltage: 12, 24, 36, 48VDC
- external magnet switch, adjusted stroke
- Powder metallurgy gear

## FORCE DATA

- Max load: 900N
- Duty cycle: 20% (high-speed condition 10%)
- Max static load: 2300N
- working life: 50000 complete cycles

## DIMENSIONAL DRAWING

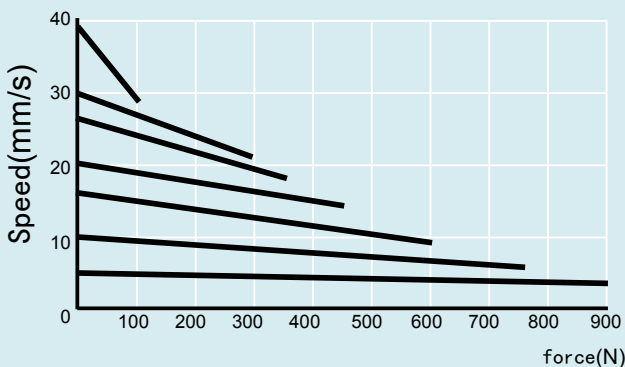


L1=Installation size

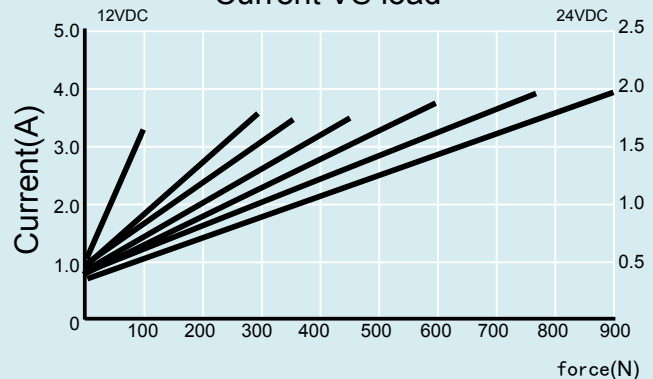
Stroke(±2 mm)	50	100	150	200	250	300
Retracted length (L1)(±2 mm)	170	220	270	320	370	420
Weight(kg)	0.7	0.82	0.9	1.0	1.1	1.23

## PERFORMANCE DIAGRAMS

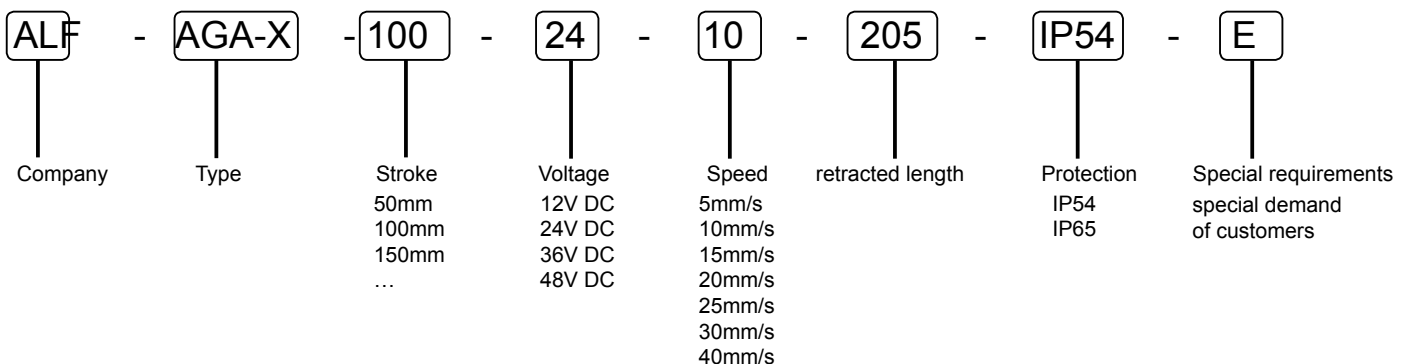
Speed VS load



Current VS load



## HOW TO ORDER



# ALF-AGA-Y

## MINIATURE LINEAR DC ACTUATORS

This type of lightweight and compact electric linear actuator, made of aluminium, takes DC motor element and gear reduction element and internal micro switch to make the stroke stop automatically after it ends. This model adds an encoder to the original model of HF-TGA. The internal chip of the encoder processes the electric signal to recognize the stretching direction depending on its internal multiple photoelectric sensors and realize the visualization and controllability of stroke.

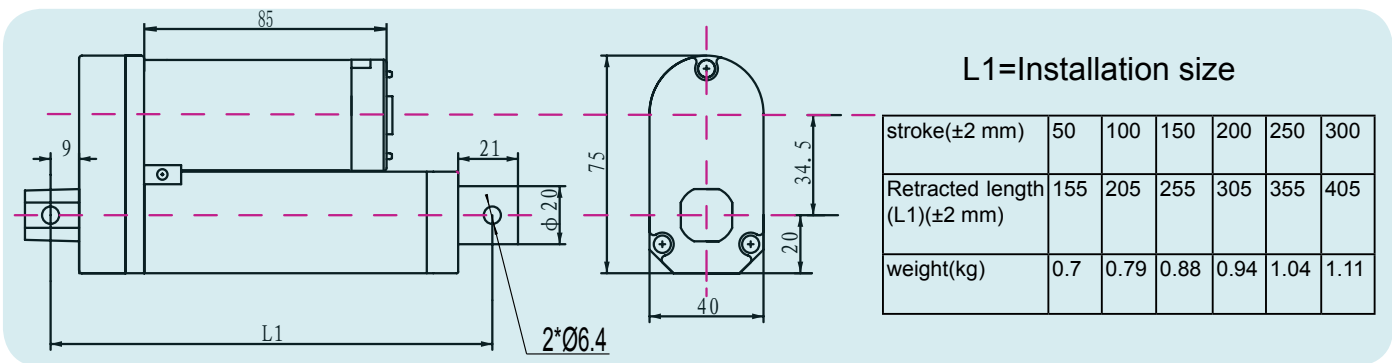
### Mechanical character

- Ambient temperature: -20°C~+65°C
- Aluminium outer tube and pushrod
- IP Grade: IP54 or IP65
- Input voltage: 12, 24, 36, 48VDC
- external encoder: feedbacking process of stroke
- Powder metallurgy gear

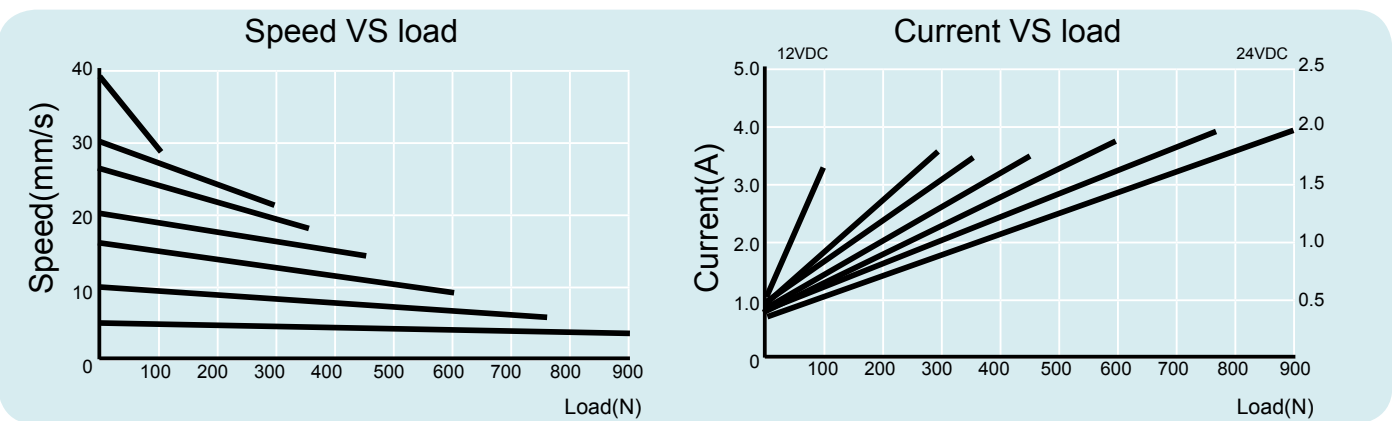
### Force data

- Max load force: 900N
- Duty cycle: 20% (High-speed condition: 10%)
- Max static load force: 2300N
- working life: 50000 complete cycles

### DIMENSIONAL DRAWING



### PERFORMANCE DIAGRAMS



### HOW TO ORDER

ALF	-	AGA-Y	-	100	-	24	-	10	-	205	-	IP54	-	E
Company		Type		Stroke 50mm 100mm 150mm ...		Voltage 12V DC 24V DC 36V DC 48V DC		Speed 5mm/s 10mm/s 15mm/s 20mm/s 25mm/s 30mm/s 40mm/s		retracted length		Protection IP54 IP65		Special requirement special demand from customers

# ALF-AGA-H

## MINIATURE LINEAR DC ACTUATORS

It is composed of aluminum alloy shell, POM sliding block and Internal limit switch which makes it stops after ending the stroke. This model shortens the installation length.

The sliding block moves stably without any vibration.

### MECHANICAL DATA

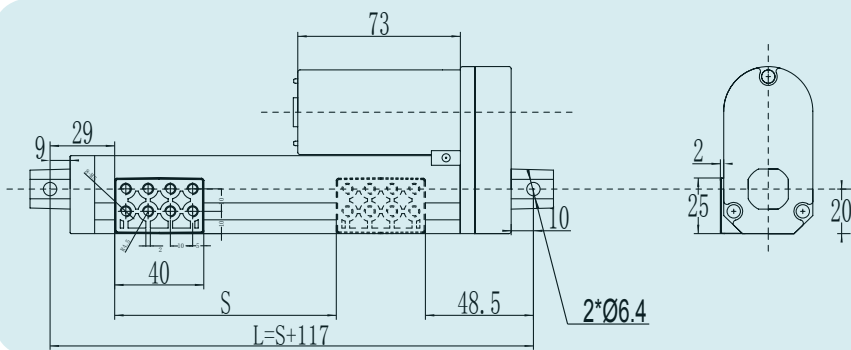
- working temperature: -20°C~+65°C
- Aluminium alloy shell and POM sliding block
- IP grade: IP10
- Input voltage: 12V, 24V, 36, 48VDC
- Internal limit switch
- Powder metallurgy gear
- No vibration

### FORCE DATA

- Max load: 700N
- Duty cycle: 20% (at high speed 10%)
- Max static load 1400N
- 50000 times complete cycle



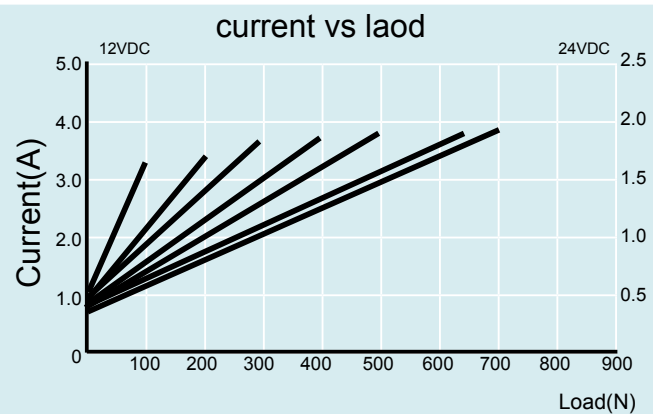
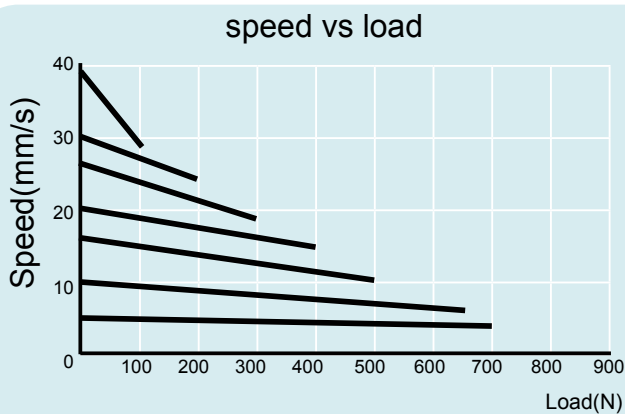
### DIMENSIONAL DRAWING



L1=installation length

stroke(±2 mm)	50	100	150	200	250	300
L1 (±2 mm)	167	217	267	317	367	417
weight(kg)	0.8	0.85	0.93	1.02	1.1	1.17

### PERFORMANCE DIAGRAMS



### HOW TO ORDER

ALF	-	AGA-H	-	100	-	24	-	10	-	205	-	IP10	-	E
Co.name		model		stroke 50mm 100mm 150mm ...		Input 12V DC 24V DC 36V DC 48V DC		speed 5mm/s 10mm/s 15mm/s 20mm/s 25mm/s 30mm/s 40mm/s		Installation		IP grade IP10		requirements customized in accordance with requirements





# ALF-AGA-A

## MINIATURE LINEAR DC ACTUATORS

Small motor actuator with ACME screws, built-in Micro switch and an internal diode, can automatically stop and enables the change of direction by simply reversing the applied voltage polarity. stroke length can be customized. switches are not made to be adjustable. Inversely proportional to the speed and power.

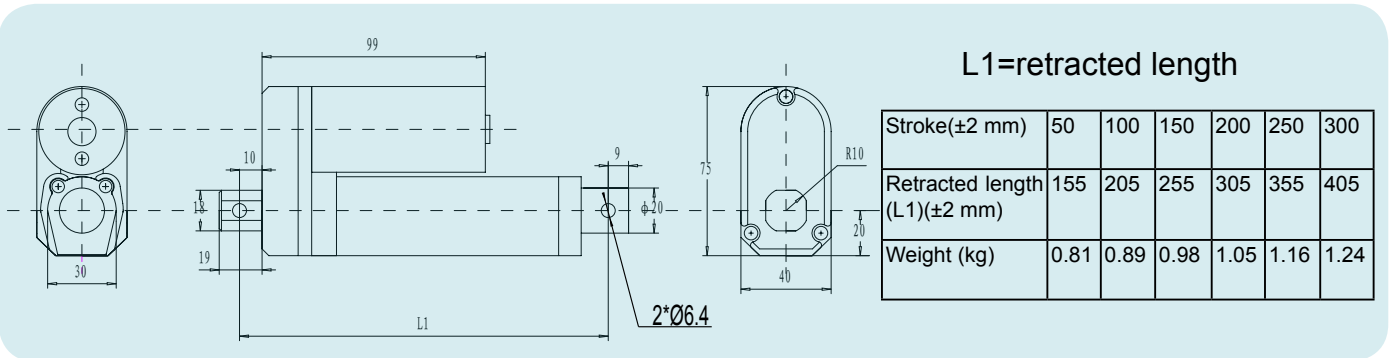
### MECHANICAL DATA

- Operating temperature -26°C~+65°C
- Aluminium outer tube and stroke rod
- Protection IP54 or IP65
- 12 or 24 or 36 or 48VDC
- Preset limit switches
- Metal Gear rolling
- Aluminium alloy housing
- Low price
- Robust

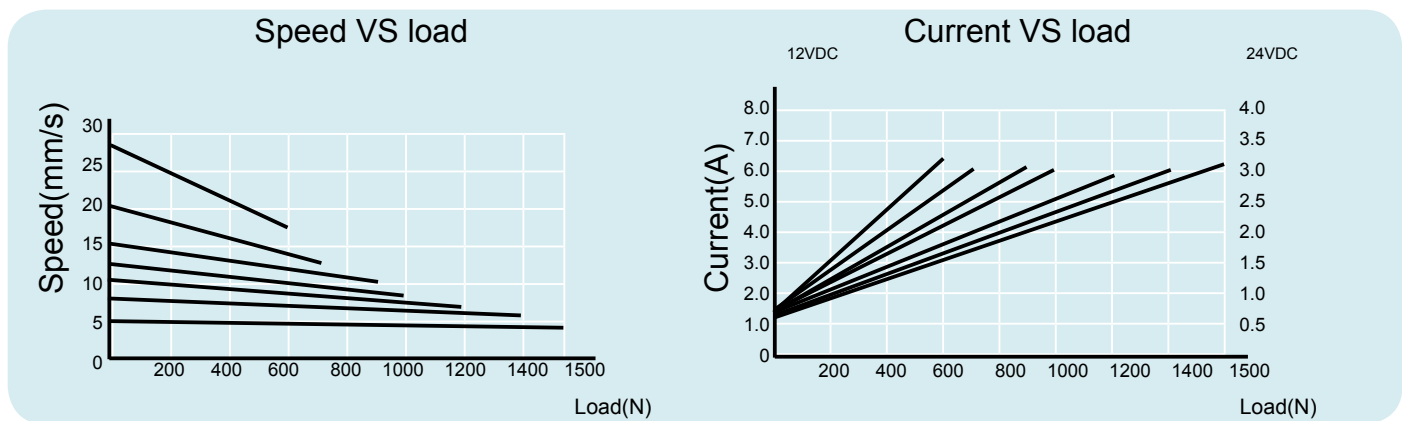
### FORCE DATA

- Max load 1500N
- Duty cycle 20% (High-speed linear 10%)
- Max static force 3000N
- Life time 50 000 complete cycles

### DIMENSIONAL DRAWING



### PERFORMANCE DIAGRAMS



### HOW TO ORDER

ALF	-	AGA-A	-	100	-	24	-	20	-	205	-	IP54	-	E
Company		Type		Stroke 50mm 100mm 150mm ...		Voltage 12V DC 24V DC 36V DC 48V DC		Speed 4mm/s 7mm/s 11mm/s 13mm/s 16mm/s 20mm/s 27mm/s		retracted length		Protection IP54 IP65		Special requirements Other requirements of customers





# ALF-AGA-E

## DC electric linear actuator introduction

This type of compact-design and lightweight product is made of aluminium which could stop itself after stroke(customized size) end under the control of internal micro switch and dc motor gear -ratio box.It is easy and convenient to install and operate.for this characters, It replaces traditional hydraulic and air pressure in many aspects like lifting back of seat of airplane,ship and vehicle,medical and fire equipment,etc.

## Machine characters

- Ambient temperature: -20°C~+65°C
- Aluminium alloy shell and pushrod
- IP Grade: IP54 or IP65
- Input voltage:12,24,36,48VDC
- Internal micro switch •powder metallurgy gear
- gracious outlook

## Force data

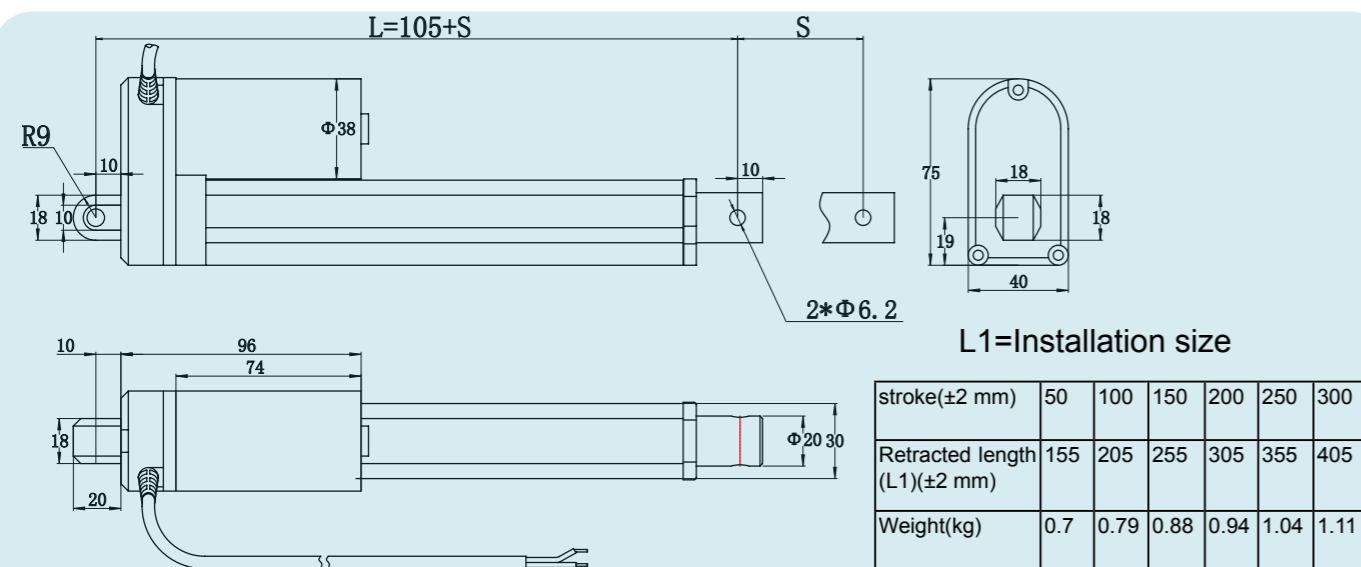
- Max load:1200N
- duty cycle: 20% (10% in high-speed condition)
- Max static load: 2300N
- working life:50000 Gear reduction ratio1:5,1:20,1:40 option



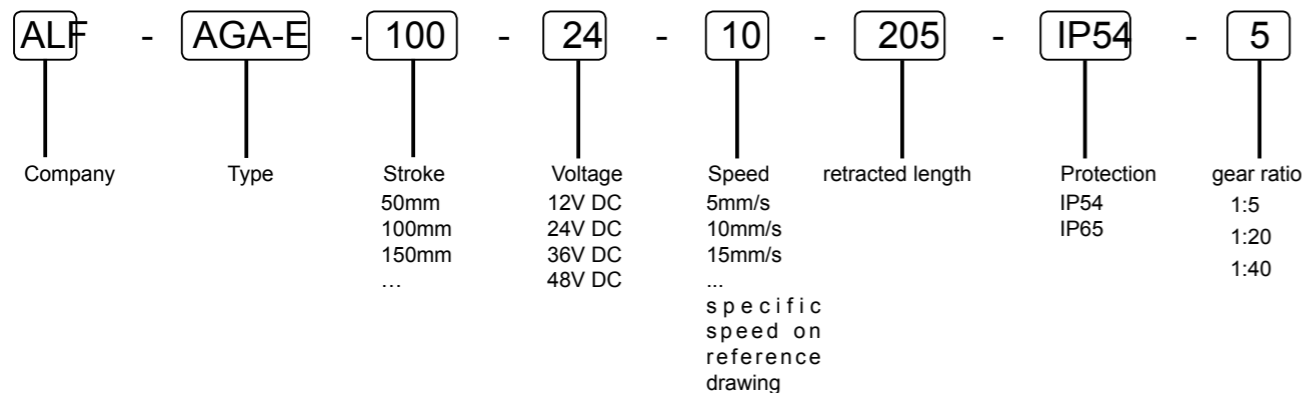
## Product drawings

reduct -ion ratio ionfear ratio	lead screw	free load speed	load - max speed force	max push force	max pull force	static load	free load current	load voltage current	free load current	load current current	free load current	load current	free load current	full load current
	screw	MM/S	MM/S	N	N	N	12V	12V	24V	24V	36V	36V	48V	48V
1:5	1.75	25	16	350	300	1200	0.8	3	0.4	1.5	0.3	1	0.2	0.75
	3.175	40	24	200	150	1000	0.8	3	0.4	1.5	0.3	1	0.2	0.75
	5	60	40	150	120	600	0.8	3	0.4	1.5	0.3	1	0.2	0.75
	6	80	50	100	80	400	0.8	3	0.4	1.5	0.3	1	0.2	0.75
	7.5	100	65	80	70	300	0.8	3	0.4	1.5	0.3	1	0.2	0.75
	9	120	80	60	50	200	0.8	3	0.4	1.5	0.3	1	0.2	0.75
1:20	1.75	5	3.2	900	800	2300	0.8	3	0.4	1.5	0.3	1	0.2	0.75
	3.175	10	6.5	750	600	2000	0.8	3	0.4	1.5	0.3	1	0.2	0.75
	5	15	9	600	500	1200	0.8	3	0.4	1.5	0.3	1	0.2	0.75
	6	20	13	450	400	700	0.8	3	0.4	1.5	0.3	1	0.2	0.75
	7.5	25	17	350	300	500	0.8	3	0.4	1.5	0.3	1	0.2	0.75
	9	30	21	300	250	400	0.8	3	0.4	1.5	0.3	1	0.2	0.75
1:40	1.75	3	2.2	1200	1000	2300	0.8	3	0.4	1.5	0.3	1	0.2	0.75
	3.175	5	3.5	900	800	2000	0.8	3	0.4	1.5	0.3	1	0.2	0.75
	5	8	5	800	750	1200	0.8	3	0.4	1.5	0.3	1	0.2	0.75
	6	10	6.6	750	600	700	0.8	3	0.4	1.5	0.3	1	0.2	0.75
	7.5	12	7	700	600	500	0.8	3	0.4	1.5	0.3	1	0.2	0.75
	9	15	9	600	500	400	0.8	3	0.4	1.5	0.3	1	0.2	0.75
	12	20	11	450	400	200	1	3	0.5	1.5	0.3	1	0.2	0.75

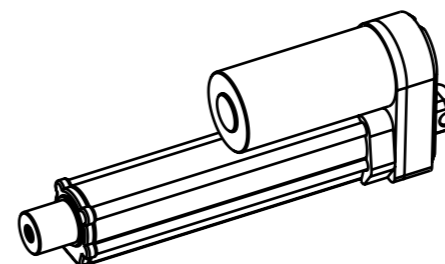
## PERFORMANCE DIAGRAMS



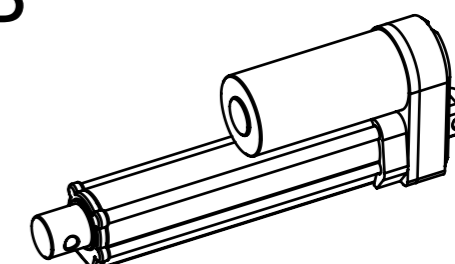
## HOW TO ORDER



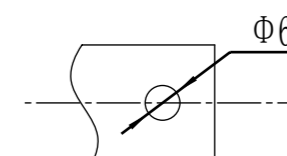
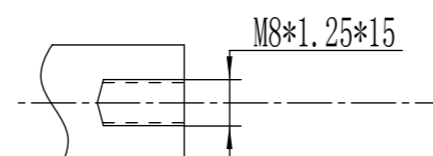
A



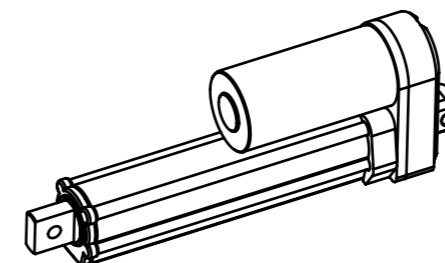
B



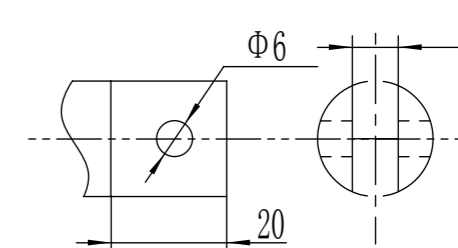
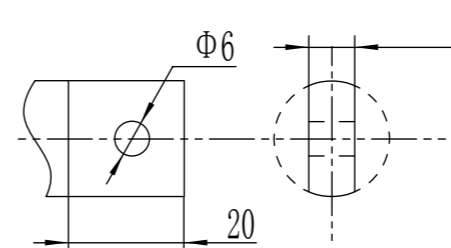
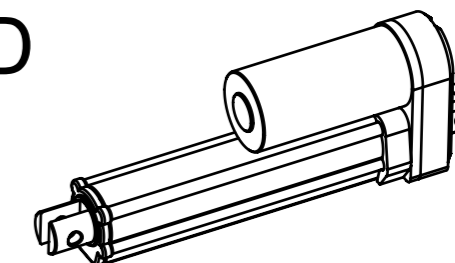
Note:zoom to check



C



D



Tips Installation size for A and B: stroke+105mm  
 Installaiton size for C and D: stroke+130mm

# ALF-AGB

## LINEAR DC ACTUATORS

Small motor actuator with ACME screws, built-in Micro switch and an internal diode, can automatically stop and enables the change of direction by simply reversing the applied voltage polarity. stroke length can be customized. switches are not made to be adjustable. Inversely proportional to the speed and power.



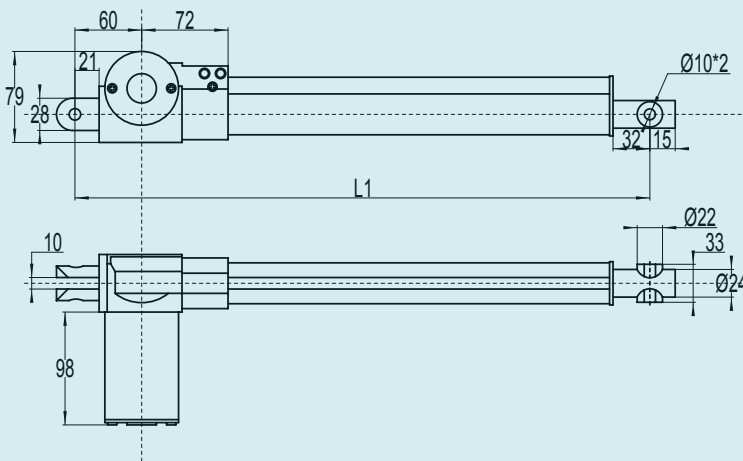
### MECHANICAL DATA

- Operating temperature -26°C~+65°C
- Aluminium outer tube and stroke rod
- Protection IP54
- 12 or 24 or 36VDC
- Preset limit switches
- Aluminium alloy housing
- Low price

### FORCE DATA

- Max load 5000N
- Duty cycle 20%(High-speed linear 10%)

### DIMENSIONAL DRAWING

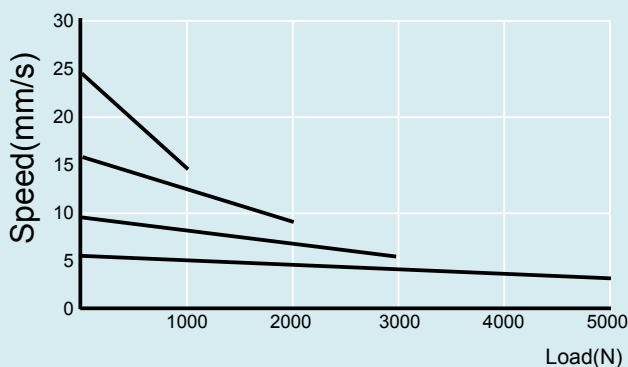


L1=retracted length

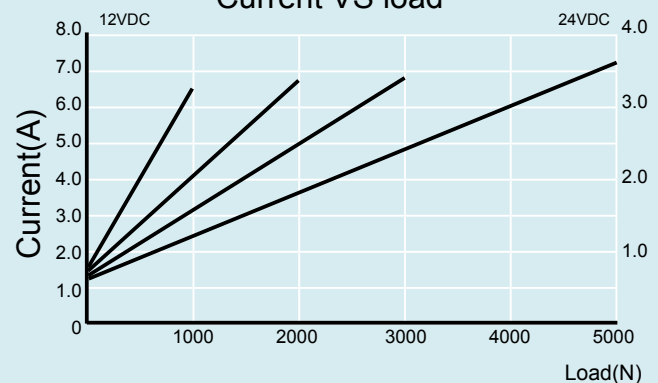
Stroke(±2 mm)	50	100	150	200	250	300
Retracted length (L1)(±2 mm)	225	275	325	375	425	475
Weight (kg)	1.6	1.8	1.92	2.02	2.2	2.4

### PERFORMANCE DIAGRAMS

Speed VS load



Current VS load



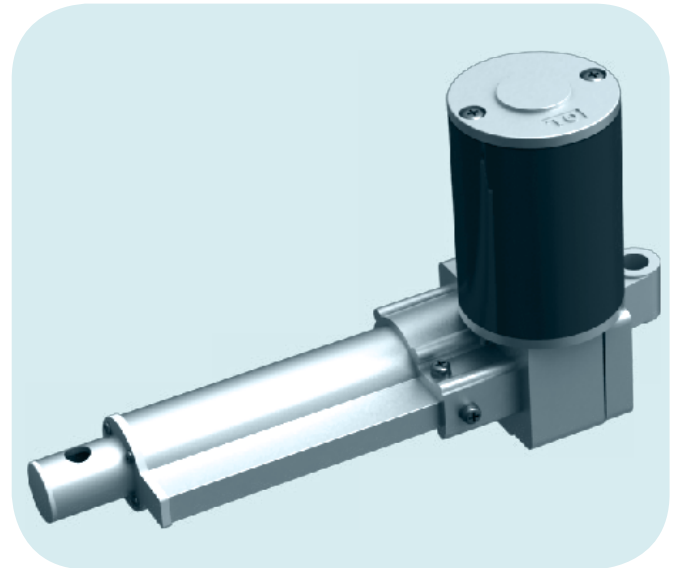
### HOW TO ORDER

ALF	-	AGB	-	100	-	24	-	8	-	275	-	IP54	-	E
Company		Type		Stroke 50mm 100mm 150mm ...		Voltage 12V DC 24V DC 36V DC		Speed 6mm/s 8mm/s 15mm/s 25mm/s		retracted length		Protection IP54		Special requirements Other requirements of customers

# ALF-AGB-L

## LINEAR DC ACTUATORS

Small motor actuator with ACME screws, built-in Micro switch and an internal diode, can automatically stop and enables the change of direction by simply reversing the applied voltage polarity. stroke length can be customized. switches are not made to be adjustable. Inversely proportional to the speed and power.



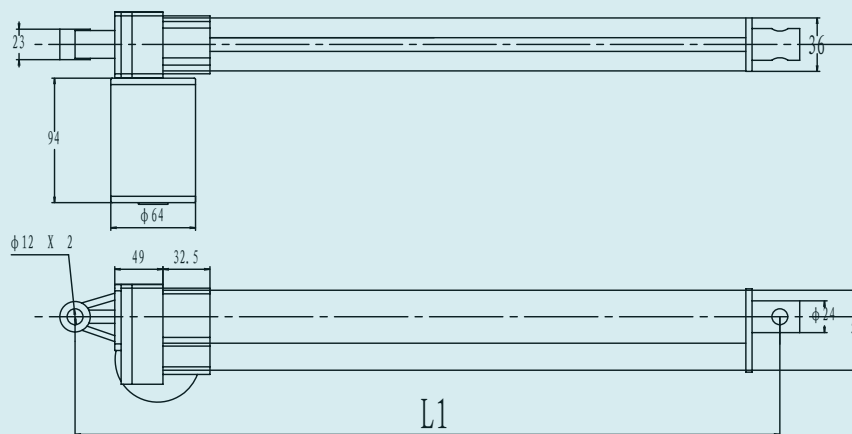
## MECHANICAL DATA

- Operating temperature -26°C~+65°C
- Aluminium outer tube and stroke rod
- Protection IP54
- 12 or 24 or 36VDC
- Preset limit switches
- Aluminium alloy housing
- Robust

## FORCE DATA

- Max load 6000N
- Duty cycle 20%

## DIMENSIONAL DRAWING

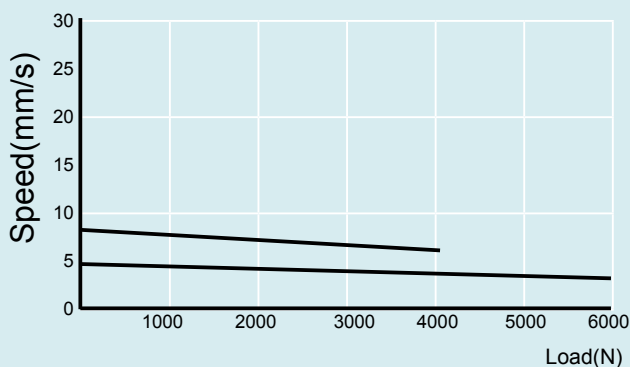


L1=retracted length

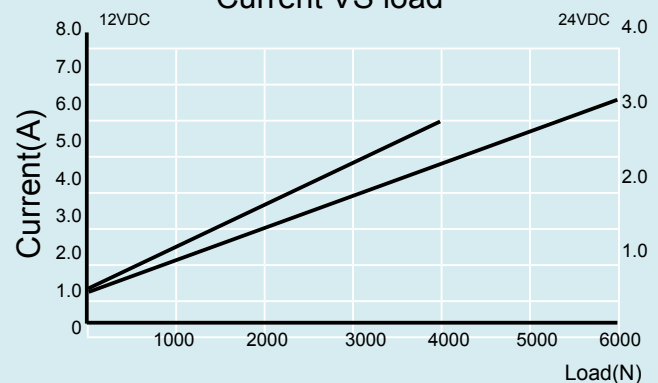
Stroke(±2 mm)	50	100	150	200	250	300
Retracted length (L1)(±2 mm)	200	250	300	350	400	450
Weight (kg)	1.4	1.56	1.73	1.91	2.06	2.2

## PERFORMANCE DIAGRAMS

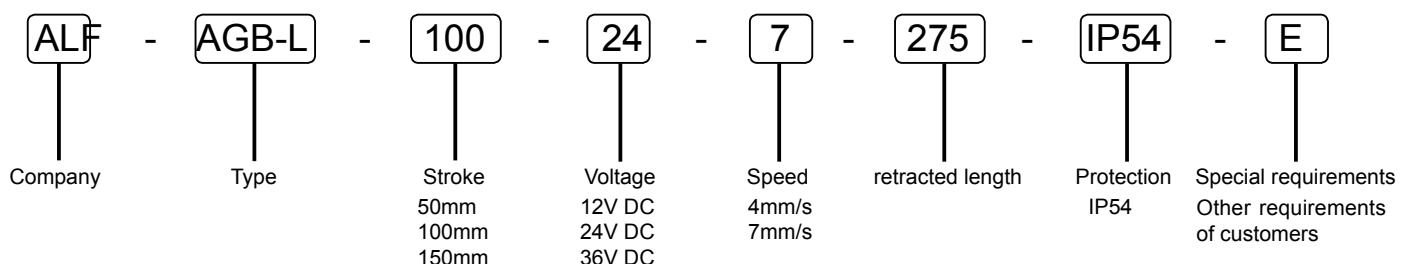
Speed VS load



Current VS load



## HOW TO ORDER





# ALF-AGQ

## LINEAR DC ACTUATORS

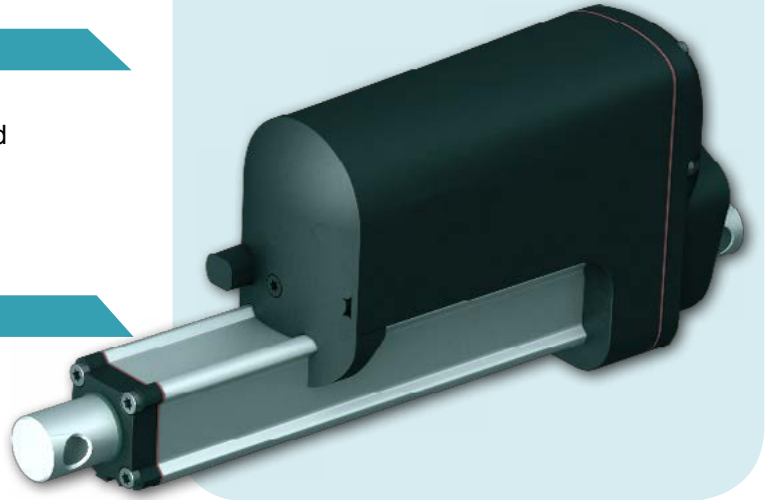
aluminum alloy material , structure design compact, adopts dc reduction gear reduction,built-in micro switch,realize the automatic stop after the stroke, stroke be customized, easy to install,operate; widely used in agriculture, construction, can effectively replace hydraulic pneumatic equipment.

## MECHANICAL DATA

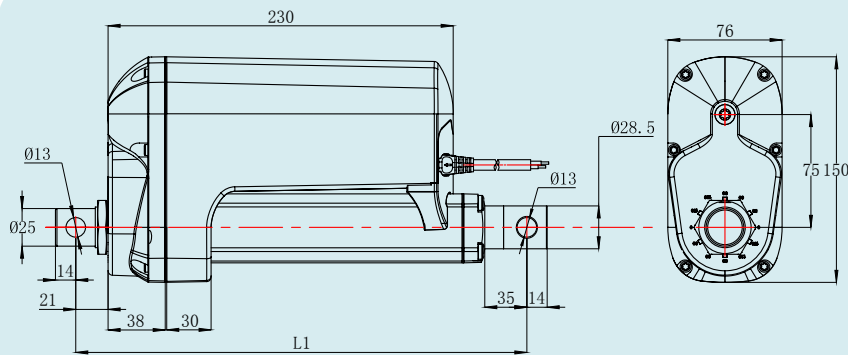
- Operating temperature -30°C~+65°C
- Aluminium outer tube and Stainless steel stroke rod
- Protection IP65 or IP66
- 12 or 24 or 36 or 48VDC
- Preset limit switches
- Robust

## FORCE DATA

- Max load:12000N
- Duty cycle 10%
- Max static force 15000N
- Life time 50 000 complete cycles



## DIMENSIONAL DRAWING

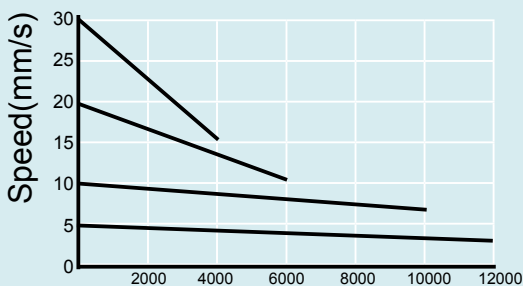


L1=retracted length

Stroke(±2 mm)	50	100	150	200	250	300
Retracted length (L1)(±2 mm)	240	290	340	390	440	490
Weight (kg)	4.7	5.1	5.5	6	6.4	6.8

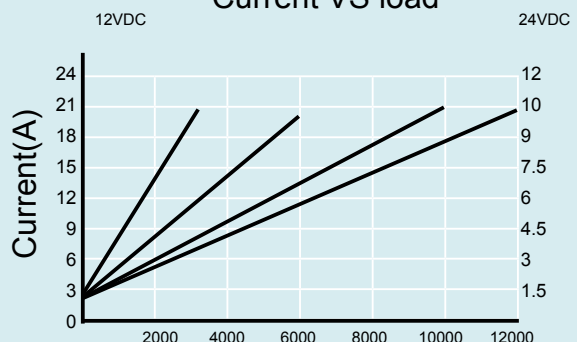
## PERFORMANCE DIAGRAMS

Speed VS load



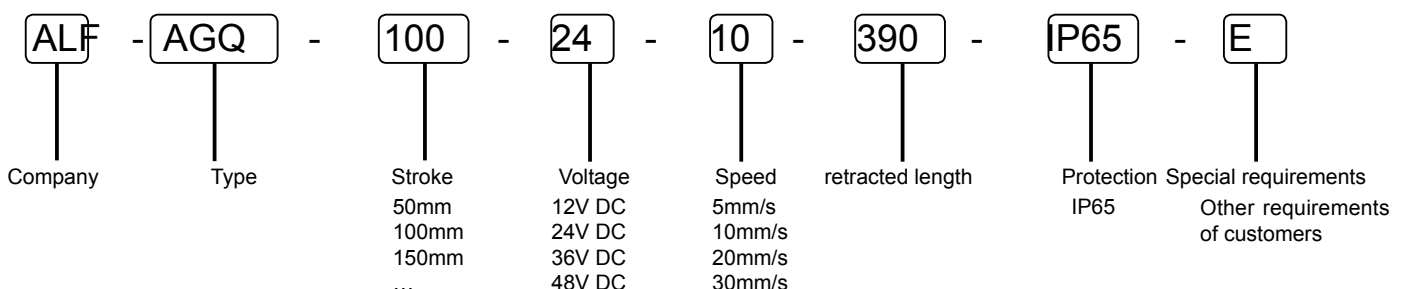
Load(N)

Current VS load



Load(N)

## HOW TO ORDER



# ALF-AGC-A

## LINEAR DC ACTUATORS

Stainless steel material, preset limit switches, can bring overheating protection, which can realize trip through automatically stop; easy to install, easy to operate; Can replace the hydraulic, pneumatic and other traditional mechanical push and pull products, used in aircraft, ship, car or other products.

### MECHANICAL DATA

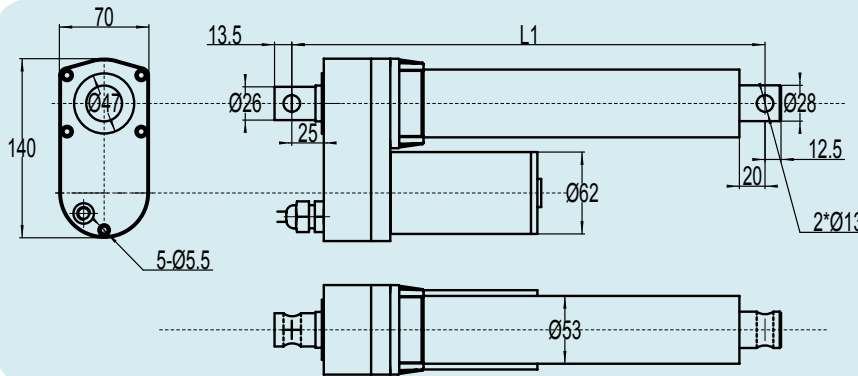
- Operating temperature -40°C~+65°C
- Protection IP65
- 12 24 36 48VDC
- Preset limit switches
- Metal Gear rolling      • Robust
- Large thrust small installation design



### FORCE DATA

- Max load 6000N
- Duty cycle 10%
- Max static force 7000N
- Life time 50 000 complete cycles

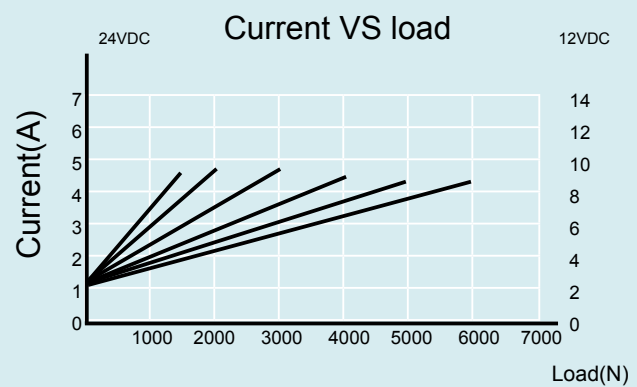
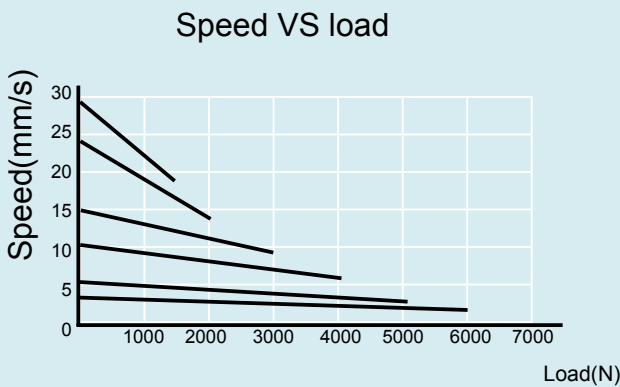
### DIMENSIONAL DRAWING



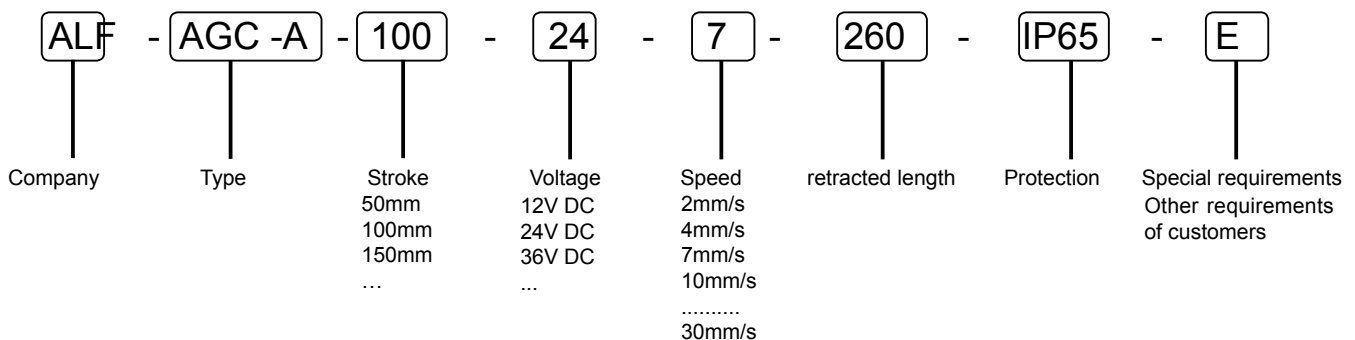
L1= retracted length

stroke(±2 mm)	50	100	150	200	250	300
Retracted (L1) (±4 mm)	210	260	310	360	410	460
weight(kg)	4	4.3	4.6	4.9	5.3	5.7

### PERFORMANCE DIAGRAMS



### HOW TO ORDER





# ALF-AGD

## MINIATURE LINEAR DC ACTUATORS

With ACME screws, built-in Micro switch and an internal diode, can automatically stop and enables the change of direction by simply reversing the applied voltage polarity. stroke length can be customized. switches are not made to be adjustable. Little power, but run high-speed.

### MECHANICAL DATA

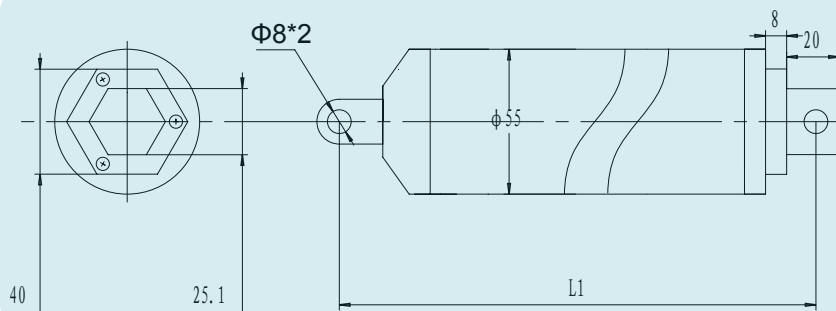
- Operating temperature -26°C~+65°C
- Aluminium outer tube and stroke rod
- Protection IP54
- 12 or 24 or 36VDC
- Preset limit switches
- High-speed
- Aluminium alloy housing
- Low price

### FORCE DATA

- Max load 200N
- Duty cycle 20%
- Max speed 230mm/S



### DIMENSIONAL DRAWING

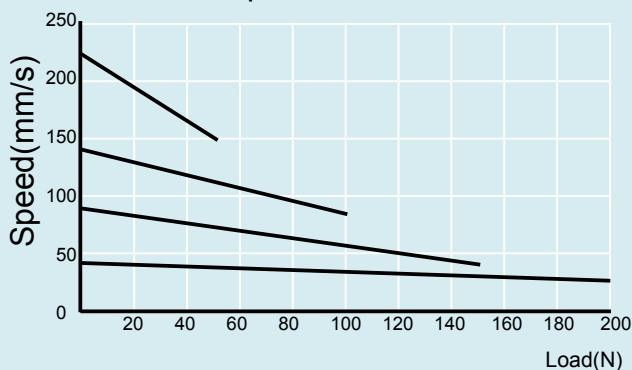


L1=retracted length

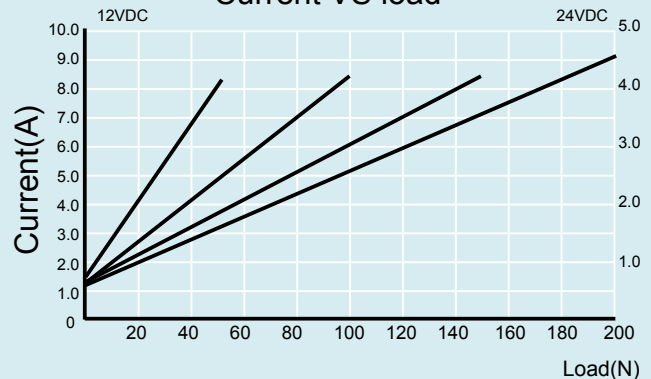
Stroke(±2 mm)	50	100	150	200	250	300
Retracted length (L1)(±2 mm)	285	335	385	435	485	535
Weight (kg)	1.52	1.63	1.74	1.86	1.95	2.05

### PERFORMANCE DIAGRAMS

Speed VS load



Current VS load



### HOW TO ORDER

ALF	-	AGD	-	150	-	24	-	80	-	385	-	IP54	-	E
Company		Type		Stroke 50mm 100mm 150mm ...		Voltage 12V DC 24V DC 36V DC		Speed 45mm/s 80mm/s 140mm/s 230mm/s		retracted length		Protection IP54		Special requirements Other requirements of customers

# ALF-AGCD

## LINEAR DC ACTUATORS

Iron case, stainless steel telescopic rod, compact structure design, planetary deceleration, built-in high sensitivity with brake limit switch, can realize automatic stop after travel. The itinerary can be customized, easy to install and easy to operate. Can replace hydraulic, pneumatic and other traditional mechanical push and pull products, green environmental protection; Widely used in road piles and other traffic facilities.

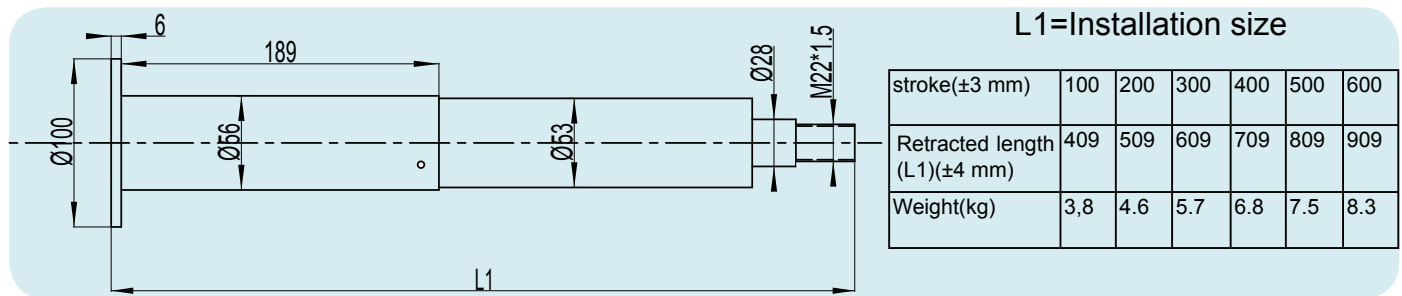
### MECHANICAL DATA

- Ambient temperature: -40°C~+65°C
- IP Grade: IP65
- 36VDC
- Internal micro switch
- Powder metallurgy gear
- High speed and thrust design

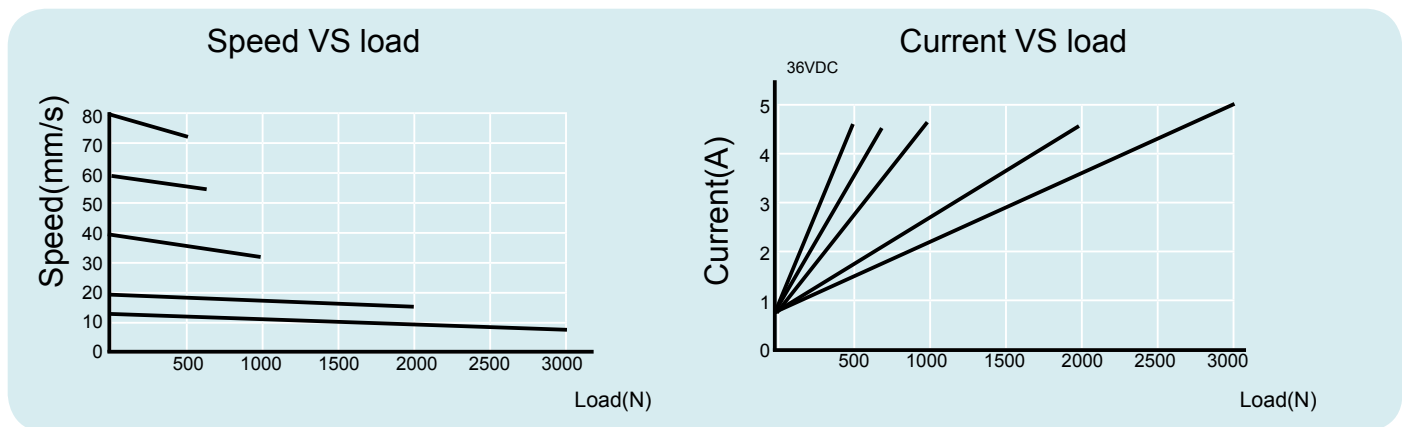
### FORCE DATA

- Max load: 3000N
- Duty cycle: 10%
- Max static load: 4000N (short connection of positive and negative terminals after power failure)
- working life: 50000 times

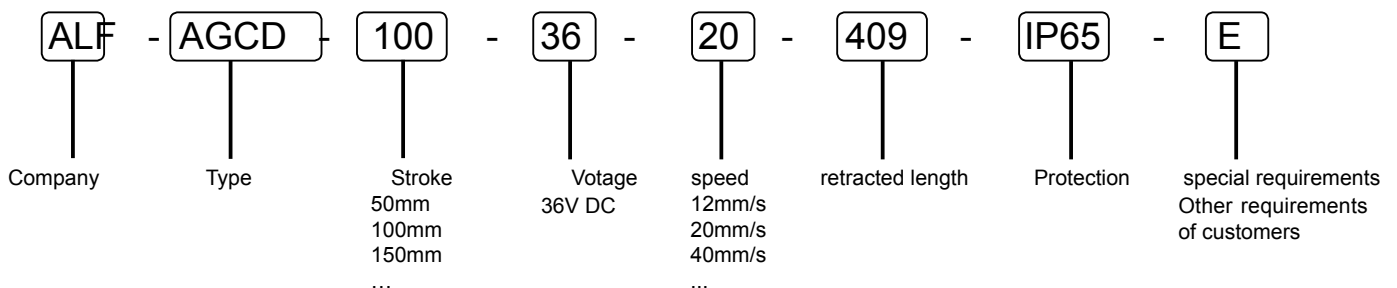
### DIMENSIONAL DRAWING



### PERFORMANCE DIAGRAMS



### HOW TO ORDER



# ALF-AGE

## MINIATURE LINEAR DC ACTUATORS

Small motor actuator with ACME screws, built-in Micro switch and planetary gear, an internal diode, can automatically stop and enables the change of direction by simply reversing the applied voltage polarity. stroke length can be customized. switches are not made to be adjustable. Inversely proportional to the speed and power.



### MECHANICAL DATA

- Operating temperature -26°C~+65°C
- Aluminium outer tube and stroke rod
- Protection IP54 or IP65
- 12 or 24 or 36 or 48VDC
- Preset limit switches
- Planetary Gear
- Aluminium alloy housing
- Low price
- Robust

### FORCE DATA

- Max load 1500N
- Duty cycle 20%(High-speed linear 10%)
- Max static force 3000N
- Life time 50 000 complete cycles

### DIMENSIONAL DRAWING

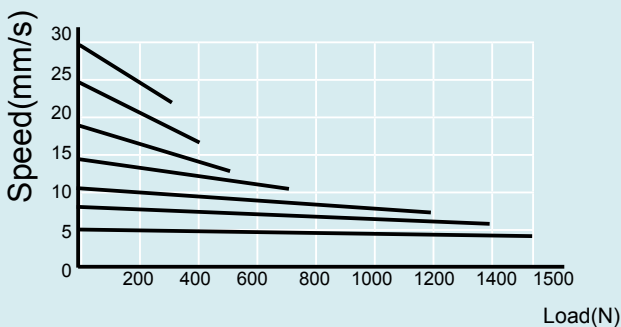


L1=retracted length

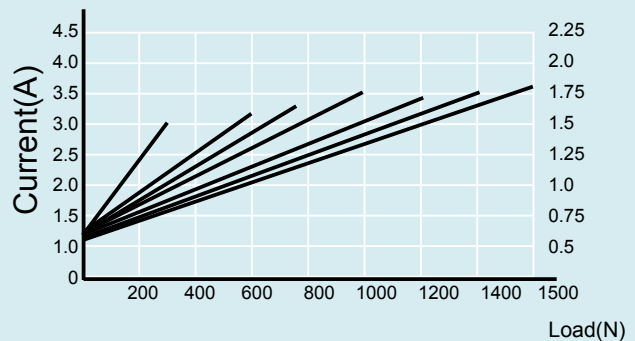
Stroke $\pm 2$ mm	50	100	150	200	250	300
Retracted (L1) ( $\pm 2$ mm)	300	350	400	450	500	550
Weight(kg)	1.02	1.15	1.26	1.37	1.48	1.6

### PERFORMANCE DIAGRAMS

Speed VS load



Current VS load



### HOW TO ORDER

ALF	-	AGE	-	100	-	24	-	20	-	205	-	IP54	-	E
Company		Type		Stroke 50mm 100mm 150mm ...		Voltage 12V DC 24V DC 36V DC 48V DC		Speed 4mm/s 7mm/s 10mm/s 15mm/s 20mm/s 25mm/s 30mm/s		retracted length		Protection IP54 IP65		Special requirements Other requirements of customers

# ALF-AGF

## Product introduction

This type of compact-design and lightweight product is made of aluminium. It could stop itself after stroke(customized size) ends under the control of internal micro switch and dc motor gear -ratio box. It is easy and convenient to install and operate for this characters. It replaces traditional hydraulic and air pressure in many aspects like lifting back of seat of airplane, ship and vehicle, medical and fire equipment, etc.



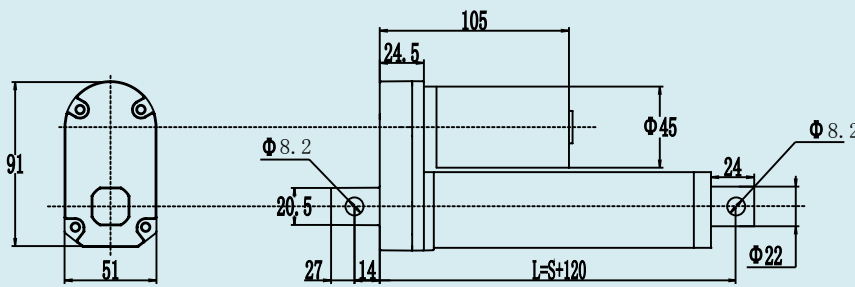
## mechanical characters

- Ambient temperature: -40°C~+65°C
- Alluminium alloy shell and pushrod
- IP Grade: IP54 or IP65
- 12,24,36V or 48VDC
- Internal micro switch
- Powder metallurgy gear     •Durable

## Force date

- Max load:3500N    Optional :Copper nut
- Duty cycle:20%(high-speed condition 10%)
- Max static load:5000N
- working life: 50000 times

## DIMENSIONAL DRAWING

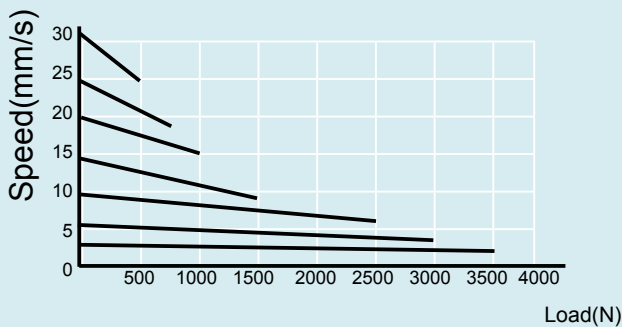


L1=Installation size

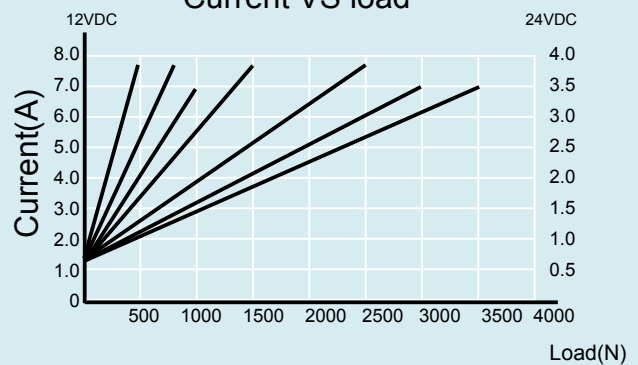
stroke(±2 mm)	50	100	150	200	250	300
Retracted length (L1)(±2 mm)	170	220	270	320	370	420
Weight(kg)	1.36	1.4	1.45	1.5	1.56	1.62

## PERFORMANCE DIAGRAMS

Speed VS load



Current VS load



## HOW TO ORDER

ALF	-	AGF	-	100	-	24	-	8	-	220	-	IP54	-	E
Company		Type		Stroke 50mm 100mm 150mm ...		Voltage 12V DC 24V DC 36V DC 48V DC		Speed 3mm/s 5mm/s 10mm/s 15mm/s 20mm/s 25mm/s 30mm/s		retracted length		Protection IP54 IP65		Special requirements customers' special demand

# ALF-AGF-DW

## LINEAR DC ACTUATORS

This type of compact-design and lightweight product is made of aluminium. It could stop itself after stroke(customized size) ends under the control of internal micro switch and dc motor gear -ratio box.It is easy and convenient to install and operate.for this characters. It replaces traditional hydraulic and air pressure in many aspects like lifting back of seat of airplane,ship and vehicle,medical and fire equipment,etc. Potentiometer, analog signal, can achieve controllable stroke.

### MECHANICAL DATA

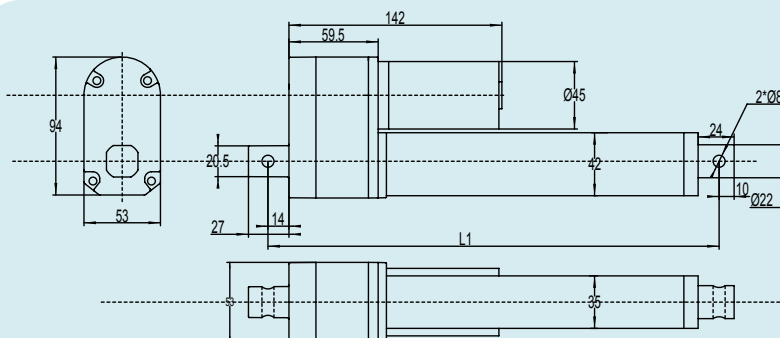
- Ambient temperature: -40°C~+65°C
- Alluminium alloy shell and pushrod(Optional:Stainless stell pushrod )
- IP Grade: IP54 or IP65(The waterproof rubber cover can be added )
- 12,24 , 36 , 48,72VDC
- Internal micro switch                      •Potentiometer:1K,5K,10K

### FORCE DATA

- Max load:3500N Optional :Copper nut
- Duty cycle:20%(high-speed condition 10%)
- Max static load:5000N
- working life: 50000 times



### DIMENSIONAL DRAWING

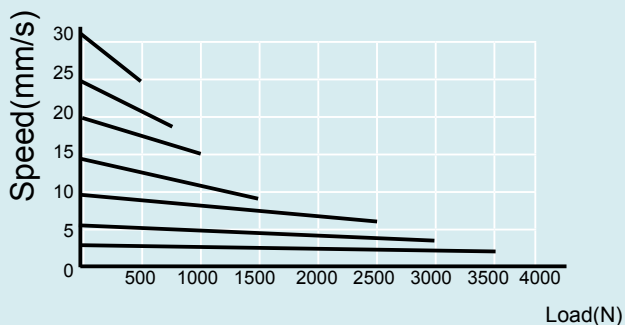


L1=Installation size

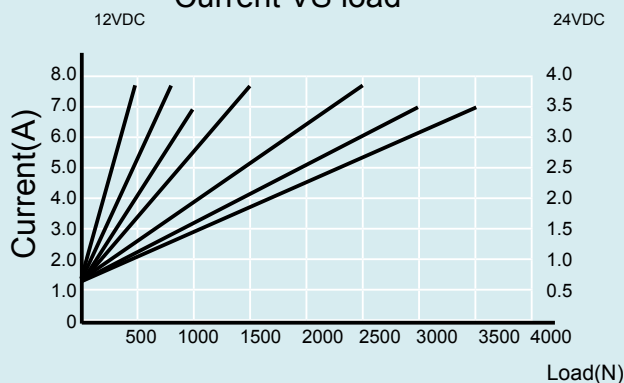
stroke(±2 mm)	50	100	150	200	250	300
Retracted length (L1)(±2 mm)	205	255	305	355	405	455
Weight(kg)	1.46	1.5	1.55	1.6	1.66	1.72

### PERFORMANCE DIAGRAMS

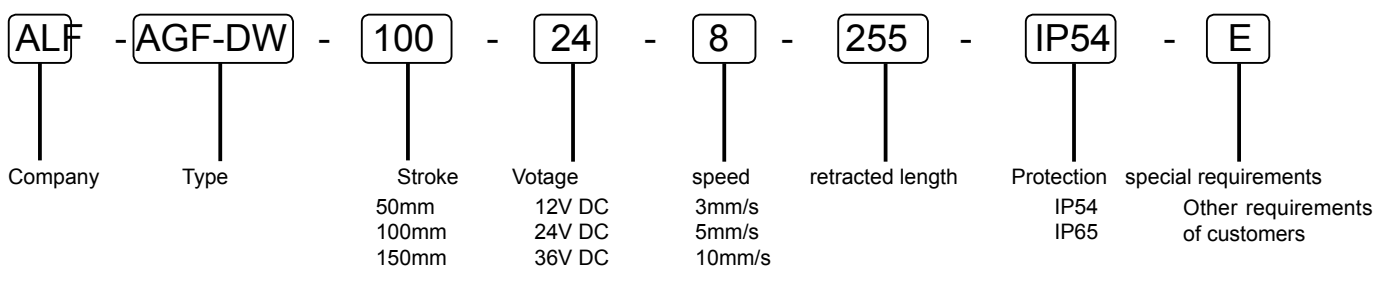
Speed VS load



Current VS load



### HOW TO ORDER



# ALF-AGF-A

## LINEAR DC ACTUATORS

This type of compact-design and lightweight product is made of aluminium. It could stop itself after stroke(customized size) ends under the control of internal micro switch and dc motor gear -ratio box.It is easy and convenient to install and operate.for this characters. It replaces traditional hydraulic and air pressure in many aspects like lifting back of seat of airplane,ship and vehicle,medical and fire equipment,etc.

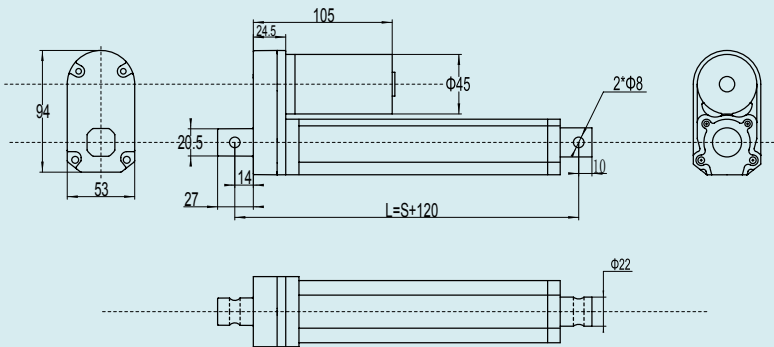
### MECHANICAL DATA

- Ambient temperature: -40°C~+65°C
- Alluminium alloy shell and pushrod
- IP Grade: IP65
- 12,24,36V 48V or 72VDC
- Internal micro switch
- Powder metallurgy gear     •Durable
- Replaceable brushless motor

### FORCE DATA

- Max load:3500N   Optional :Copper nut
- Duty cycle:20%(high-speed condition 10%)
- Max static load:5000N
- working life: 50000 times

### DIMENSIONAL DRAWING

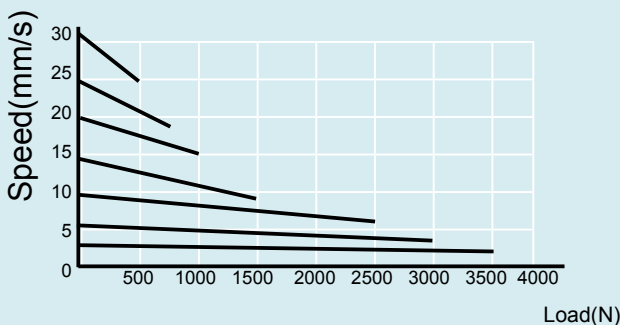


L=Installation size

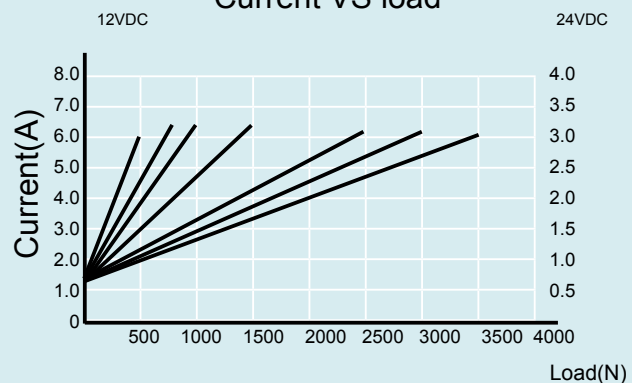
stroke(±2 mm)	50	100	150	200	250	300
Retracted length (L1)(±2 mm)	170	220	270	320	370	420
Weight(kg)	1.36	1.4	1.45	1.5	1.56	1.62

### PERFORMANCE DIAGRAMS

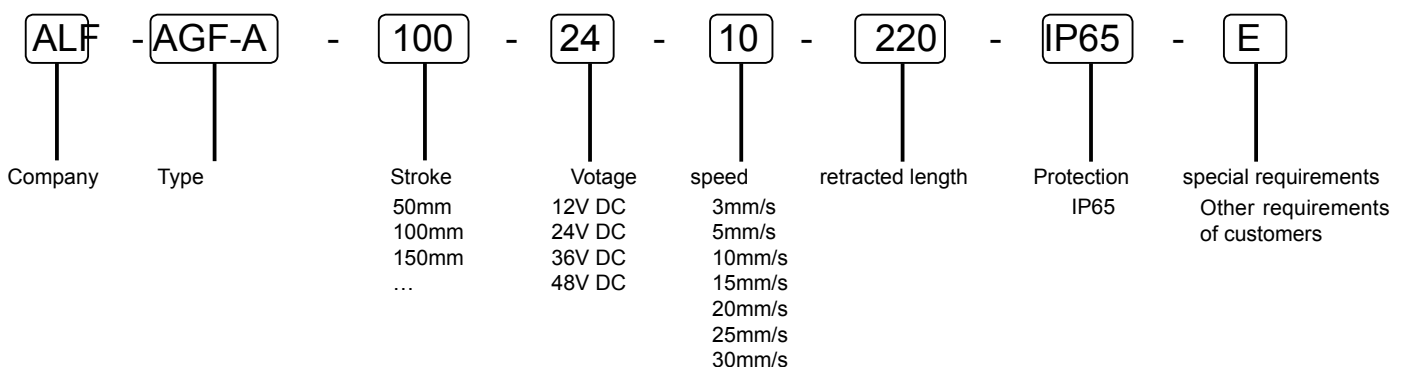
Speed VS load



Current VS load



### HOW TO ORDER



# ALF-AGF-A-

## LINEAR DC ACTUATORS

This type of compact-design and lightweight product is made of aluminium. It could stop itself after stroke(customized size) ends under the control of internal micro switch and dc motor gear -ratio box.It is easy and convenient to install and operate.for this characters. It replaces traditional hydraulic and air pressure in many aspects like lifting back of seat of airplane,ship and vehicle,medical and fire equipment,etc. Potentiometer, analog signal, can achieve controllable stroke.

### MECHANICAL DATA

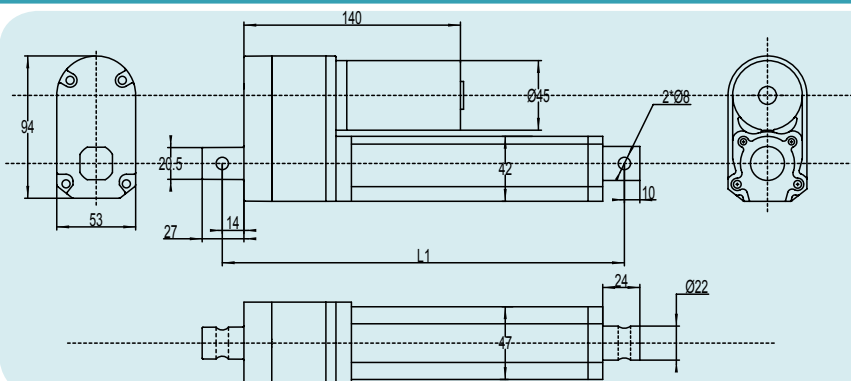
- Ambient temperature: -40°C~+65°C
- Alluminium alloy shell and pushrod(Optional:Stainless stell pushrod )
- IP Grade: IP54 or IP65(The waterproof rubber cover can be added )
- 12,24 , 36 , 48,72VDC      •Robust
- Internal micro switch      •Potentiometer:1K,5K,10K

### FORCE DATA

- Max load:3500N Optional :Copper nut
- Duty cycle:20%(high-speed condition 10%)
- Max static load:5000N
- working life: 50000 times



### DIMENSIONAL DRAWING

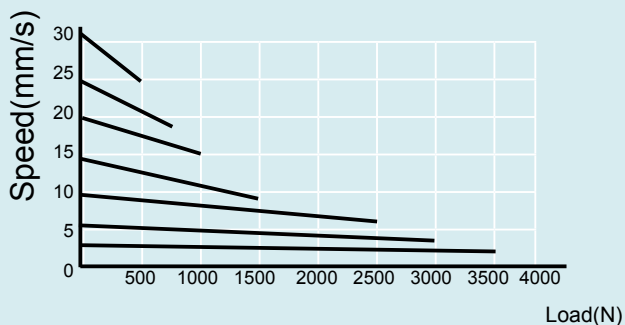


L=Installation size

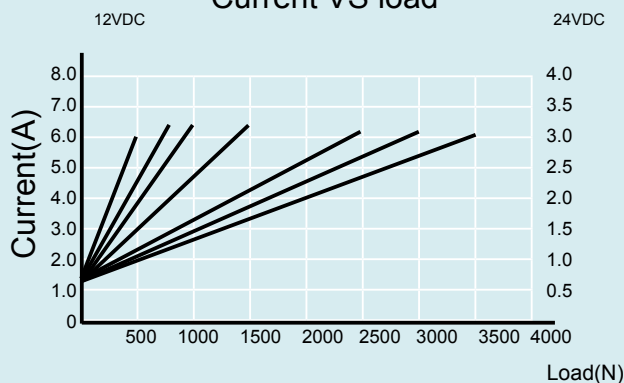
Stroke(±2 mm)	50	100	150	200	250	300
Retracted length (L1)(±2 mm)	205	255	305	355	405	455
Weight(kg)	1.52	1.65	1.78	1.84	2.01	2.12

### PERFORMANCE DIAGRAMS

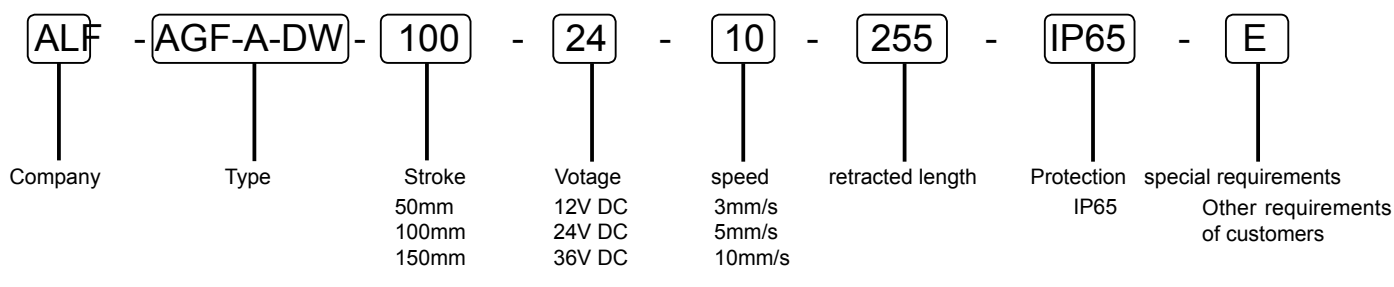
Speed VS load



Current VS load



### HOW TO ORDER



# ALF-AGH-01

## Introduction of lifting column

This type of product, made of aluminium alloy material, owns compact structure, low noise, stable scalability, gracious and square outlook that makes it easy to install. It is largely used in lifting platform, Tatami and medical equipment with control box. The internal motor saves space and efficiently reduce noise.

## Mechanical characters

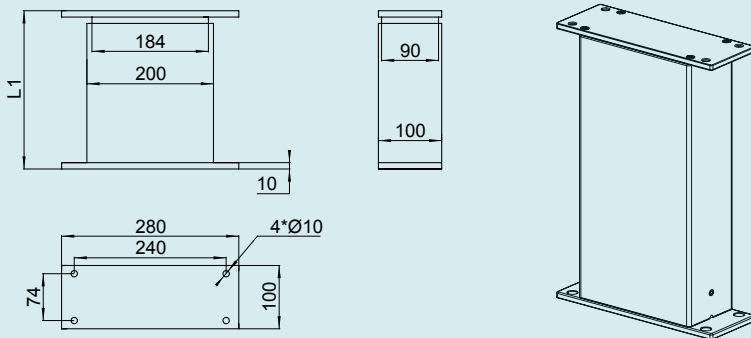
- Ambient temperature: -20°C~+65°C
- Aluminium alloy shell and pushrod
- IP Grade: IP55
- Input voltage: 12V, 24VDC
- internal micro switch
- Noise: <50dB

## Force data

- Max load: 4000N
- Duty cycle: 20% (high-speed condition: 10%)
- Max static load: 5000N
- working life: 50000 complete cycles



## Product drawings

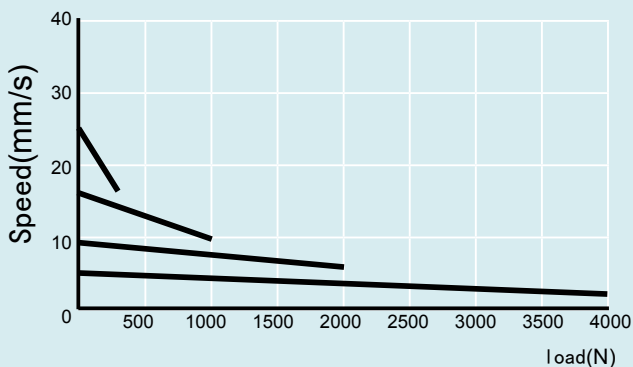


L1=Installation size

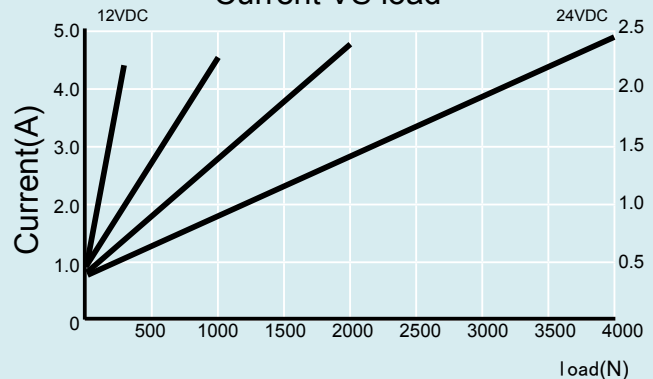
stroke(±2 mm)	50	100	150	200	250	300
Retracted length (L1)(±2 mm)	225	275	325	375	425	475
weight(kg)	5.7	6.6	7.5	8.4	9.3	10

## PERFORMANCE DIAGRAMS

Speed VS load



Current VS load



## HOW TO ORDER

ALF	-	AGH-01	-	100	-	24	-	8	-	275	-	IP55	-	E
Company		Type		Stroke 50mm 100mm 150mm ...		Voltage 12V DC 24V DC		Speed 5mm/s 8mm/s 15mm/s 25mm/s		retracted length		Protection		Special requirements customers'demand



# ALF-AGM-S

## Product Introduction

Aluminium alloy material;unique design;powered by dc motor ;internal placed track;customized stroke;easy to operate; min retracted length and max retracted length settled after stroke confirmed;lower noise makes it better in lifting TV or other home furniture

## MECHANICAL DATA

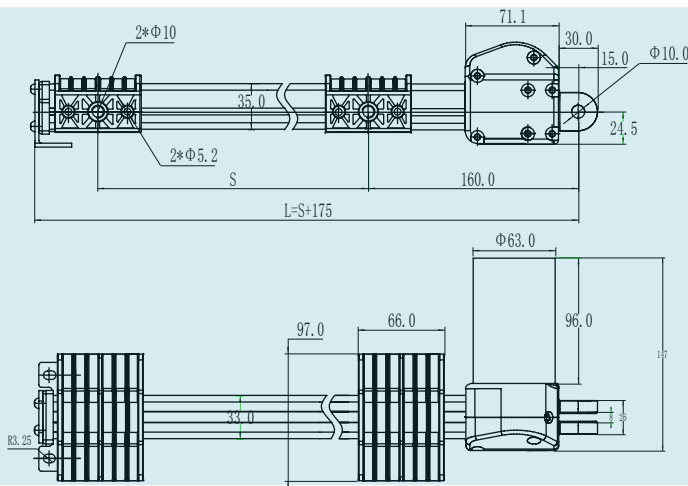
- Ambient temperature: -26°C~+65°C
- Aluminium alloy shell and POM slider
- IP grade:IP52
- Input voltage:12 or 24 VDC
- internal limit switch      •Durable

## FORCE DATA

- Max load: 4000N
- Duty cycle: 20%( at high speed 10%)
- Max static load:5000N
- working life: 50000 times complete cycles



## DIMENSIONAL DRAWING

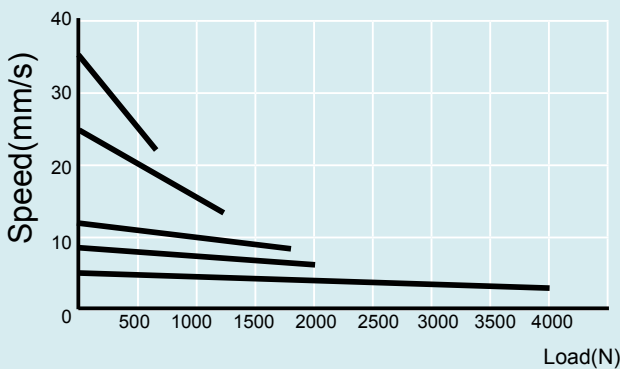


L=Retracted length

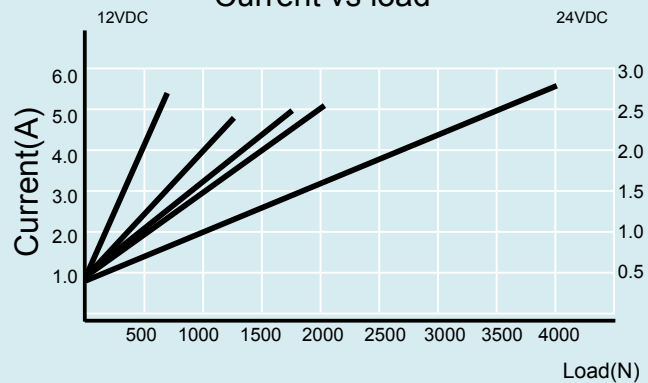
stroke(±2 mm)	100	150	200	250	300	350
L(±2 mm)	275	325	375	425	475	525
weight(kg)	1.52	1.6	1.8	1.92	2.02	2.2

## PERFORMANCE DIAGRAMS

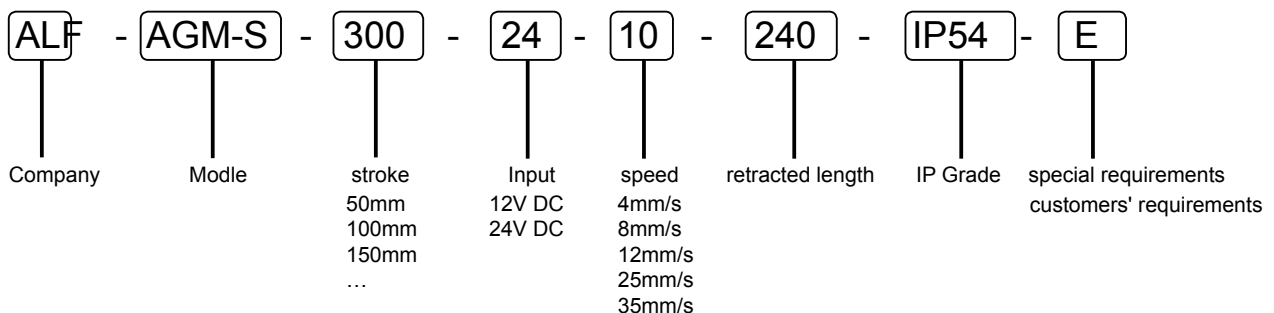
Speed vs Load



Current vs load



## HOW TO ORDER



# ALF-AGP

## LINEAR DC ACTUATORS

Small motor actuator with ACME screws, built-in Micro switch and an internal diode, can automatically stop and enables the change of direction by simply reversing the applied voltage polarity. stroke length can be customized. switches are not made to be adjustable. Inversely proportional to the speed and power.



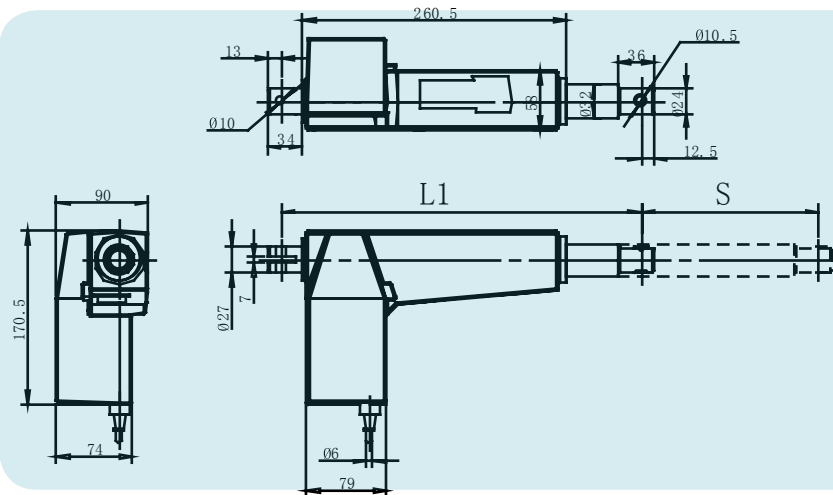
## MECHANICAL DATA

- Operating temperature -26°C~+65°C
- Aluminium outer tube and Stainless steel stroke rod
- Protection IP54
- 12 or 24 VDC
- Preset limit switches
- High performance

## FORCE DATA

- Max load 8000N
- Duty cycle 10%(High-speed linear 10%)

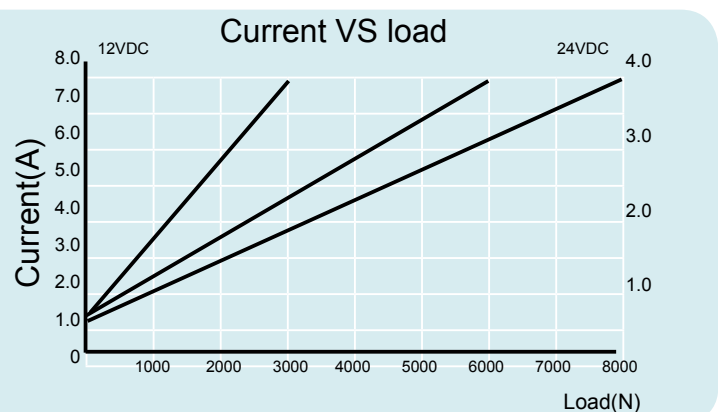
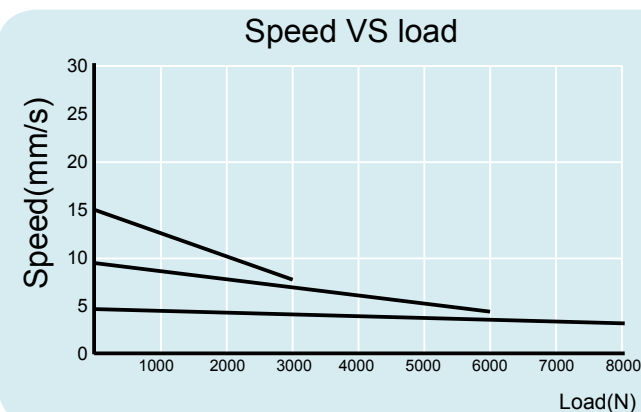
## DIMENSIONAL DRAWING



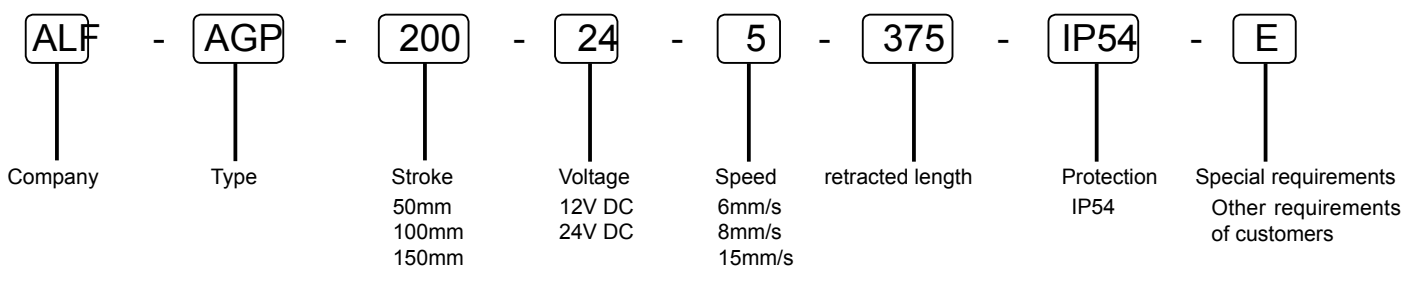
L1=retracted length

Stroke(±2 mm)	50	100	150	200	250	300
Retracted length (L1)(±2 mm)	305	305	325	375	425	475
Weight (kg)	2.64	2.71	2.8	3.1	3.4	3.7

## PERFORMANCE DIAGRAMS



## HOW TO ORDER



# ALF-AGR

## MINIATURE LINEAR DC ACTUATORS

Aluminum alloy material, compact structure design, built-in micro switch, can achieve automatic stop after the journey. The journey can be customized, the noise is low, the operation is convenient; Can replace hydraulic, pneumatic and other traditional mechanical push and pull products, green environmental protection; It is widely used in furniture industry and medical automation equipment industry.



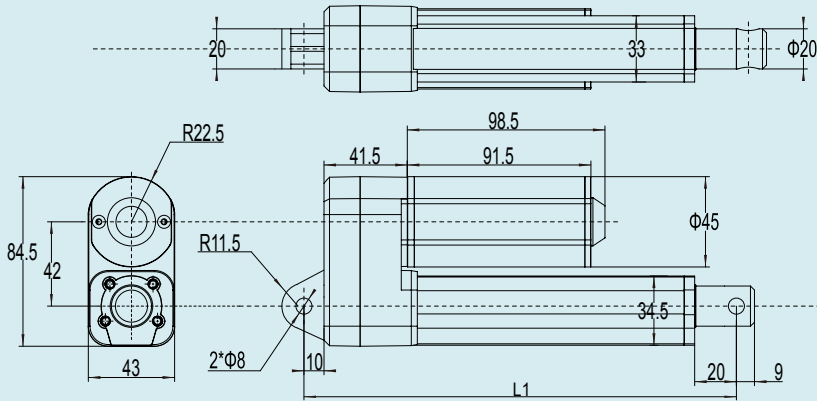
### MECHANICAL DATA

- Operating temperature -20°C~+65°C
- Aluminium outer tube and stroke rod(Optional stainless steel)
- Protection IP54
- Low noise
- 12 or 24 or 36 or 48VDC
- Preset limit switches

### FORCE DATA

- Max load:2500N
- Duty cycle 20%(High-speed linear 10%)
- Max static force :3000N
- Life time 50 000 complete cycles

### DIMENSIONAL DRAWING

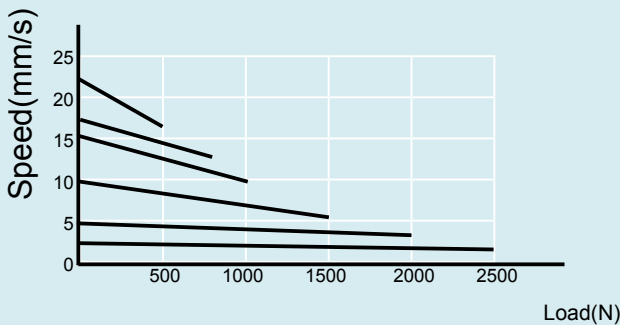


L1=retracted length

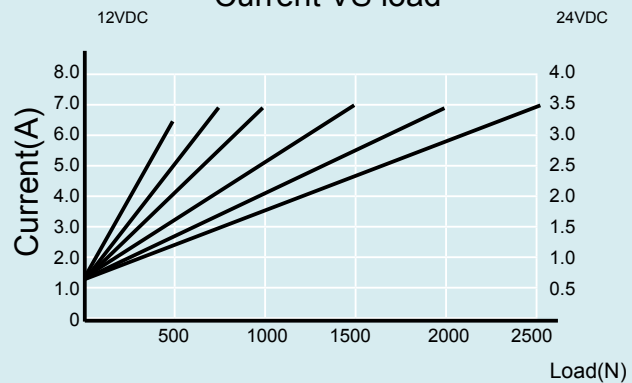
Stroke(±2 mm)	50	100	150	200	250	300
Retracted length (L1)(±2 mm)	170	220	270	320	370	420
Weight (kg)	1.36	1.4	1.45	1.5	1.56	1.62

### PERFORMANCE DIAGRAMS

Speed VS load



Current VS load



### HOW TO ORDER

ALF	-	AGR	-	100	-	24	-	10	-	220	-	IP54	-	E
Company		Type		Stroke 50mm 100mm 150mm ...		Voltage 12V DC 24V DC 36V DC 48V DC		Speed 3mm/s 6mm/s 10mm/s 15mm/s 17mm/s 23mm/s		retracted length		Protection IP54		Special requirements Other requirements of customers

# ALF-AGR-H

## MINIATURE LINEAR DC ACTUATORS

Aluminum alloy material, compact structure design, built-in micro switch, can achieve automatic stop after the journey. The journey can be customized, the noise is low, the operation is convenient; Can replace hydraulic, pneumatic and other traditional mechanical

### MECHANICAL DATA

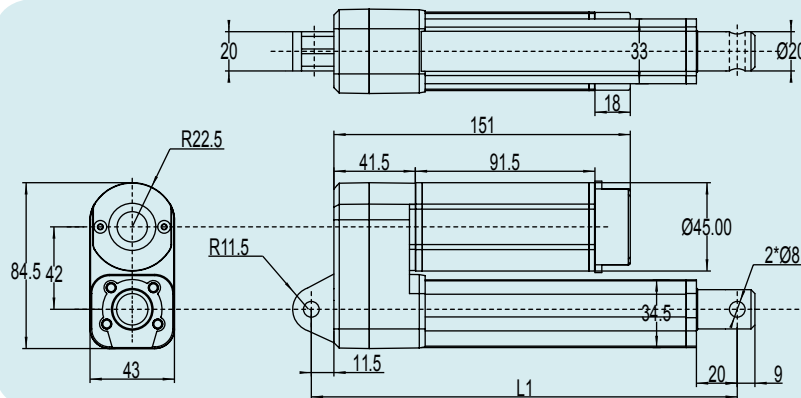
Operating temperature -20°C~+65°C

- Aluminium outer tube and stroke rod (Optional stainless steel)
- Protection IP54
- 12 or 24 or 36 or 48VDC
- Preset limit switches
- Low noise
- Double hall sensor

### FORCE DATA

- Max load: 2500N
- Duty cycle 20% (High-speed linear 10%)
- Max static force : 3000N
- Life time 50 000 complete cycles

### DIMENSIONAL DRAWING

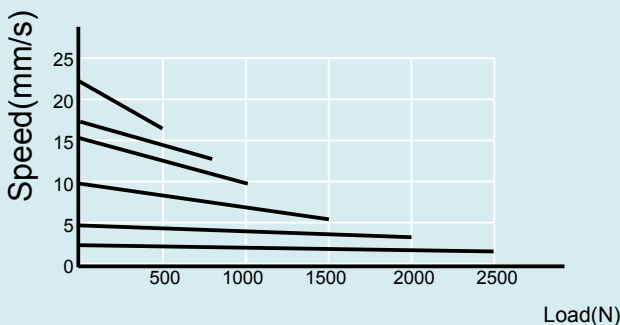


L1=retracted length

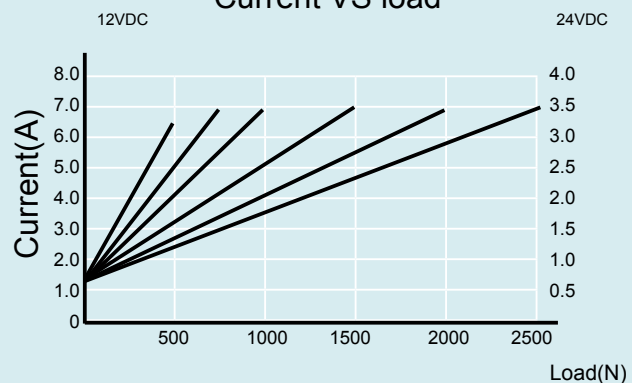
Stroke(±2 mm)	50	100	150	200	250	300
Retracted length (L1)(±2 mm)	170	220	270	320	370	420
Weight (kg)	1.36	1.4	1.45	1.5	1.56	1.62

### PERFORMANCE DIAGRAMS

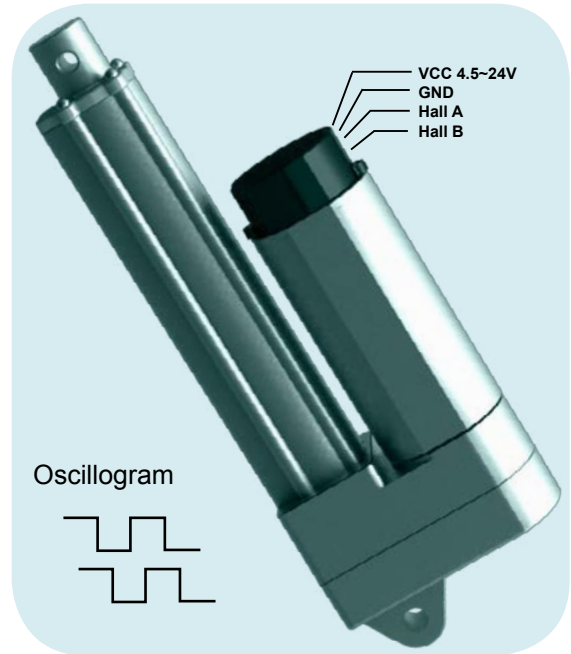
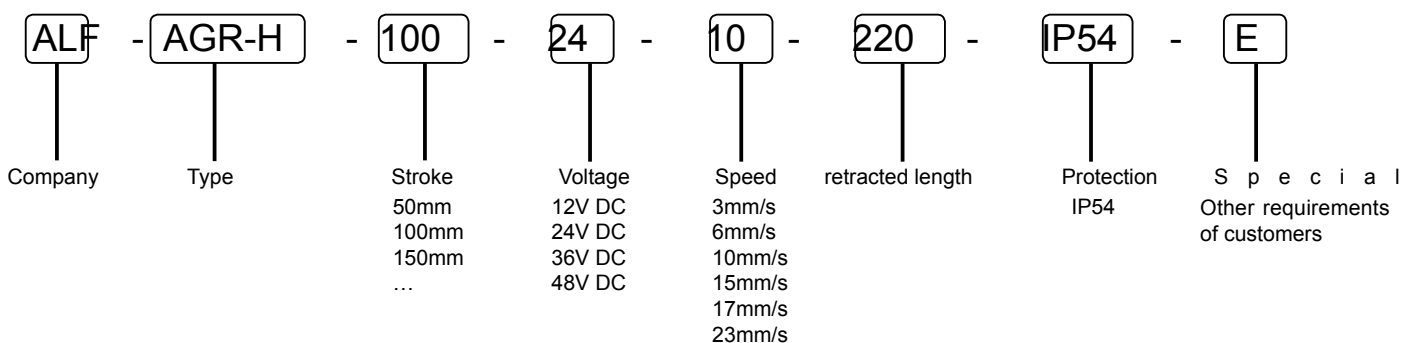
Speed VS load



Current VS load



### HOW TO ORDER

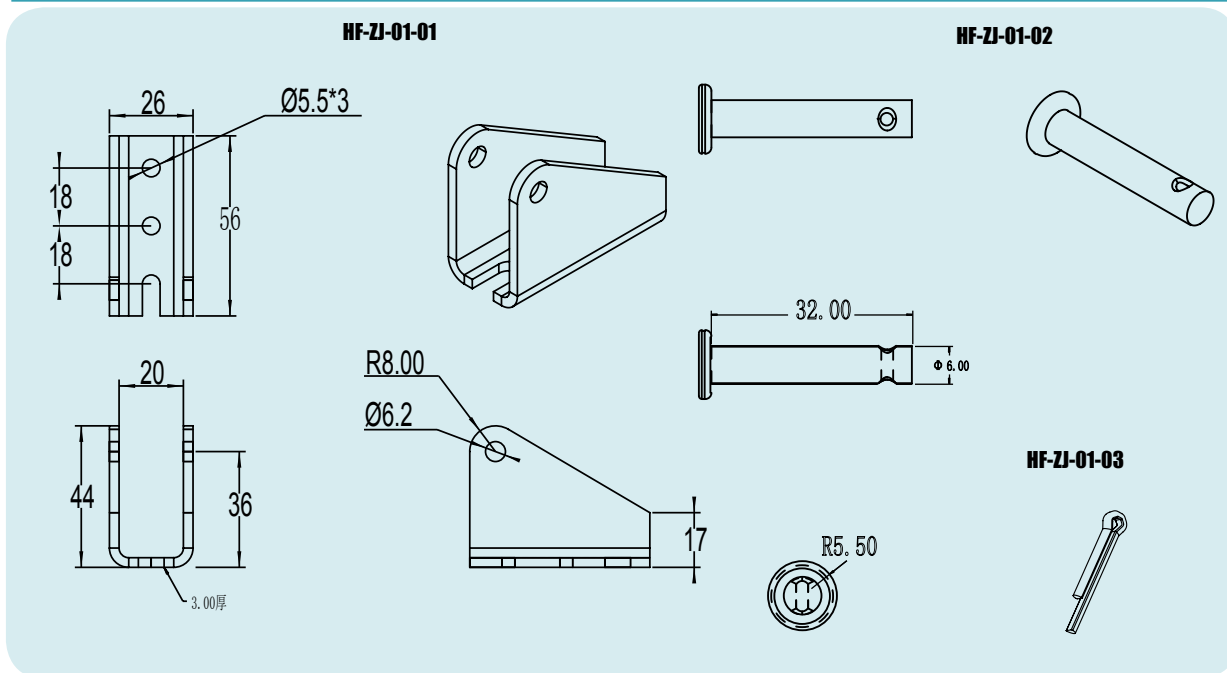


# ALF-ZJ-01

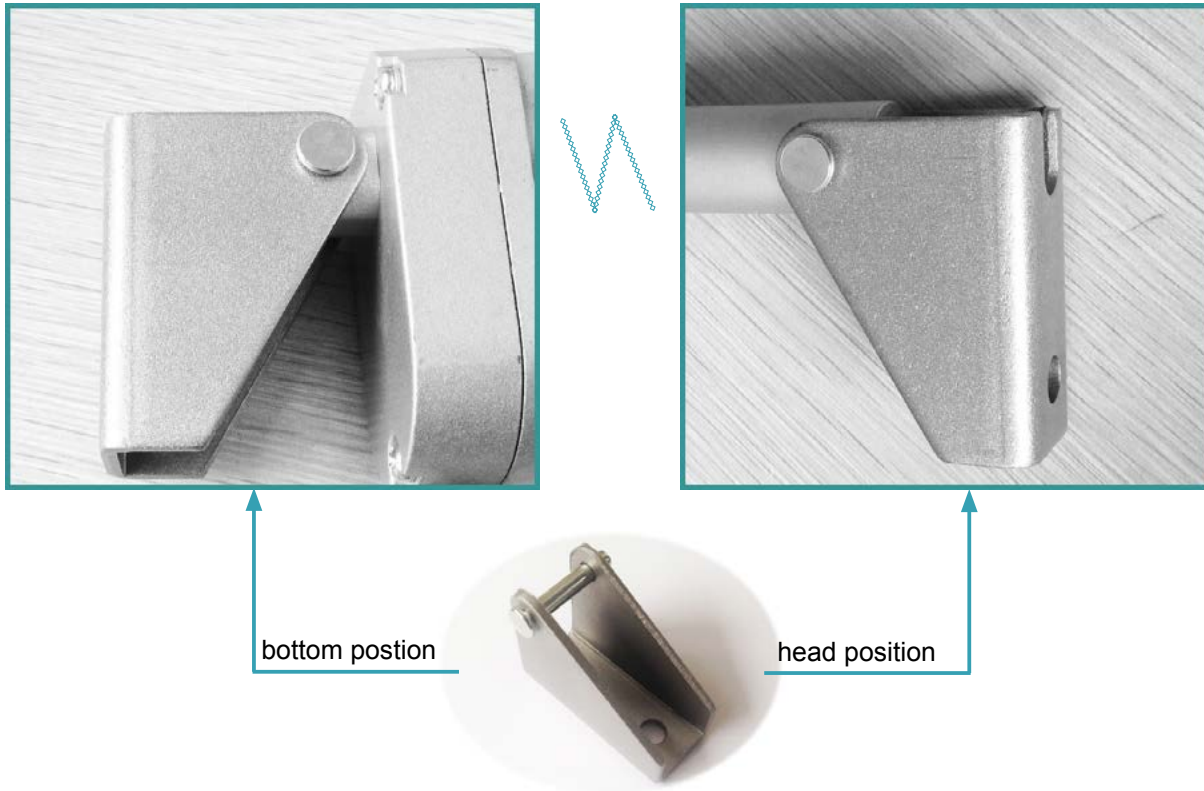
## Introduction of mounting bracket

A3 material, vstamping article, PE coated, 3MM thick, could bearing 2500N push and pull pressure, equiped with 6MM screw and open pin. This mounting bracket could simplify electric linear actuator installation way by changing the hole mounting into surface mounting. It is suitable for AGA, AGA-DW, AGA-A, AGA-B, AGA-A-DW and AGE series.

## Product drawing



## Mounting way



## order illustration

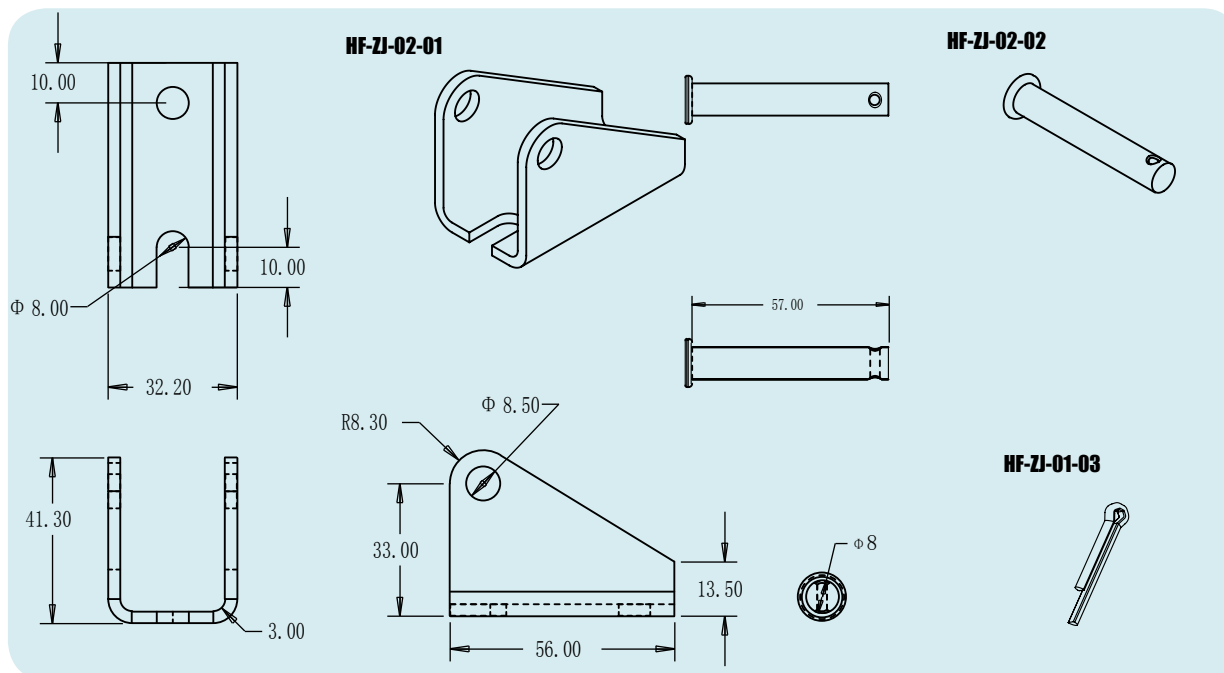
Comtomers could directly order this bracket through its modle NO. ALF-ZJ-01, If mount it on electric linear actuaotr, ø6mm through-hole should be made on pushrod. This mounting bracket--ALF-ZJ-01 contains one ALF-ZJ-01-01, one ALF-ZJ-01-02 and one ALF-ZJ-01-03

# ALF-ZJ-02

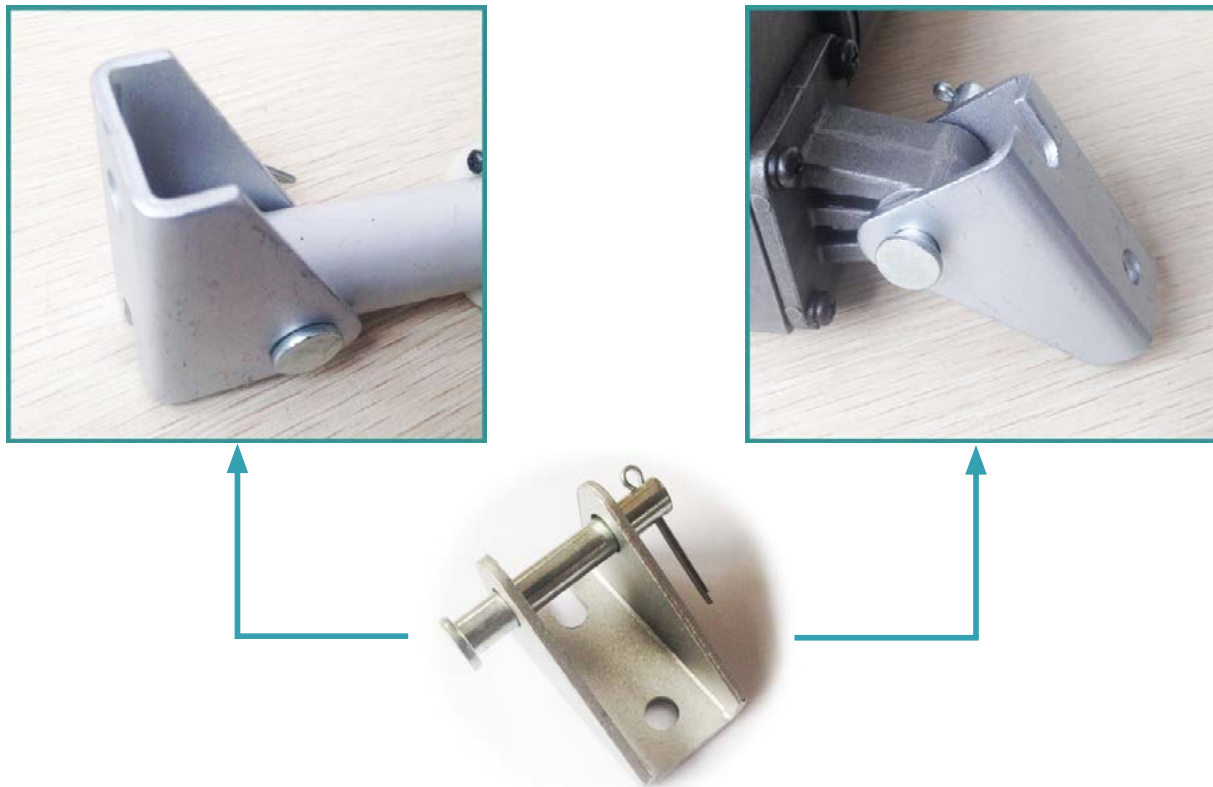
## Product introduction

A3 material; stamping article; PE coated; 3MM thick; bearing 2500N push and pull pressure; equipping  $\phi 9.5\text{MM}$  screw and open pin. This mounting bracket could simplify electric linear actuator installation way, which changes the hole mounting into surface mounting which is suitable for AGB,AGB-L,AGD series.

## Product drawings



## mounting way



## Order illustration

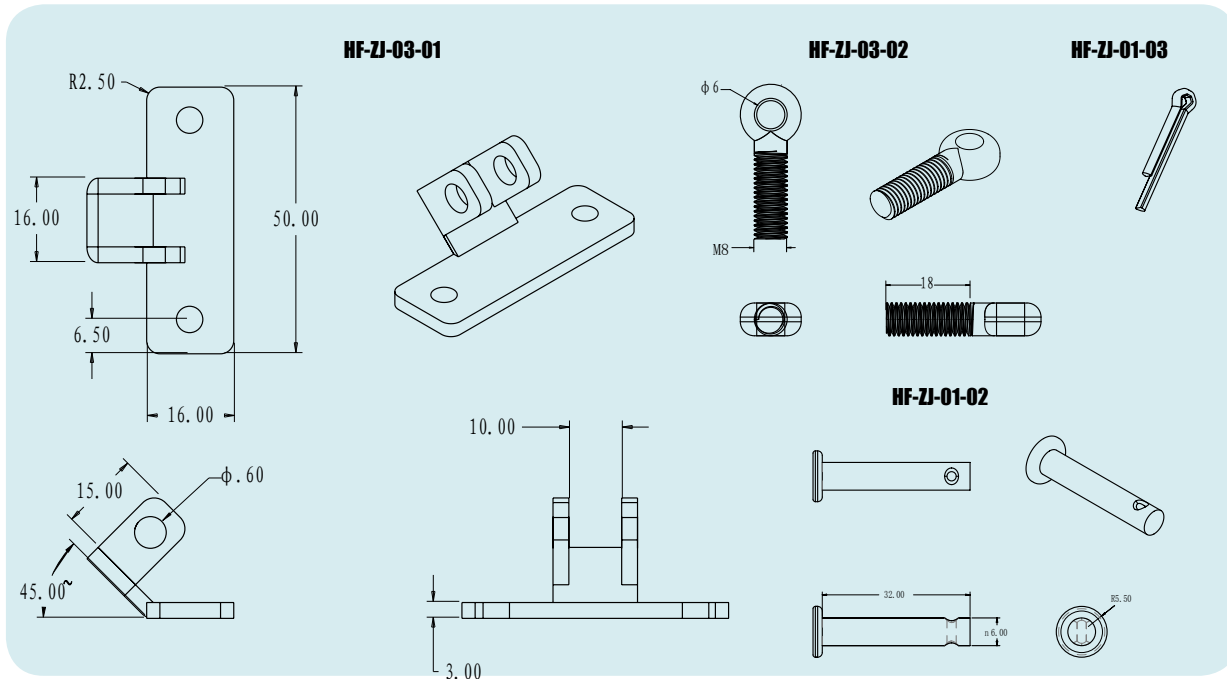
Comtomers could directly order this bracket through its modle NO:ALF-ZJ-02, If mounted on electric linear actuaotr,  $\phi 10\text{mm}$  through-hole should be opened on pushrod. This mounting bracket--ALF-ZJ-02 contains one ALF-ZJ-02-01 and oneALF-ZJ-02-02 and one ALF-ZJ-02-03 .

# ALF-ZJ-03

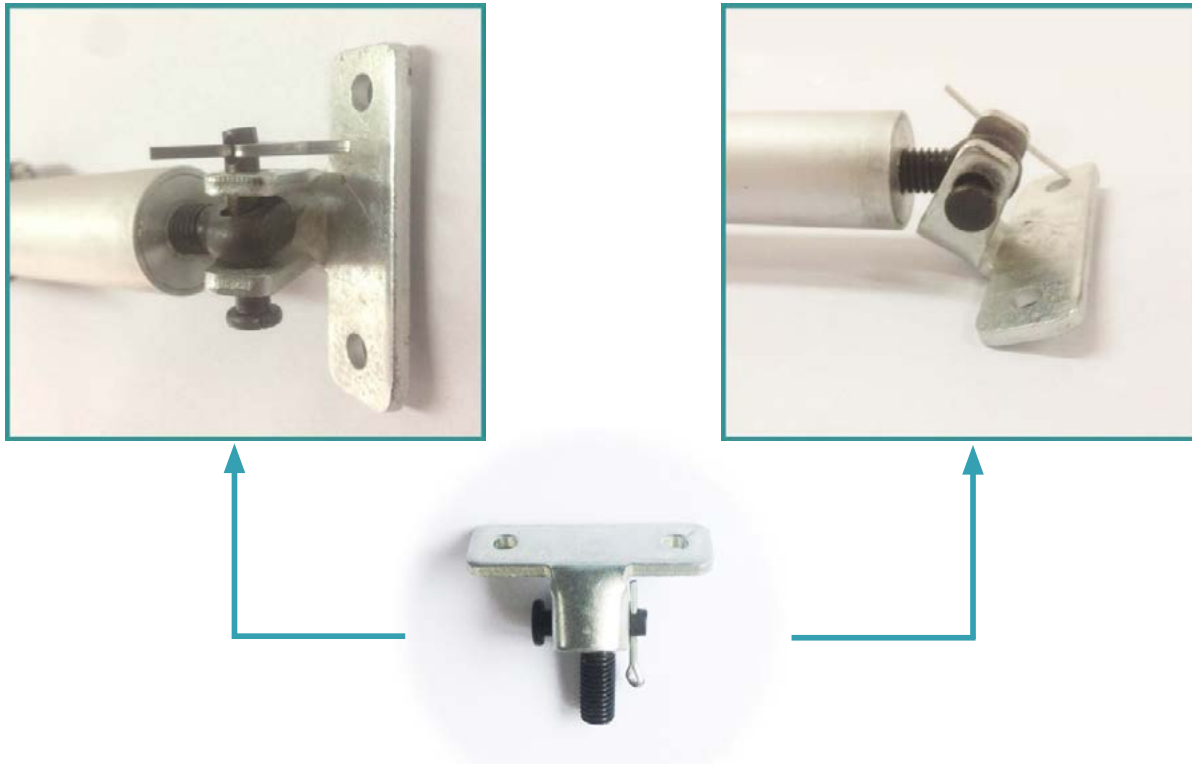
## Introduction

A3 material, Zinc coated, 3MM thick, equipped with M6 thread pin and  $\phi 6$ MM screw and open pin. This bracket simplifies actuator's mounting way by changing the hole mounting into surface mounting together with M6 inner screw in pushrod head position (special illustration needed)

## Production introduction



## mounting way



## order illustration

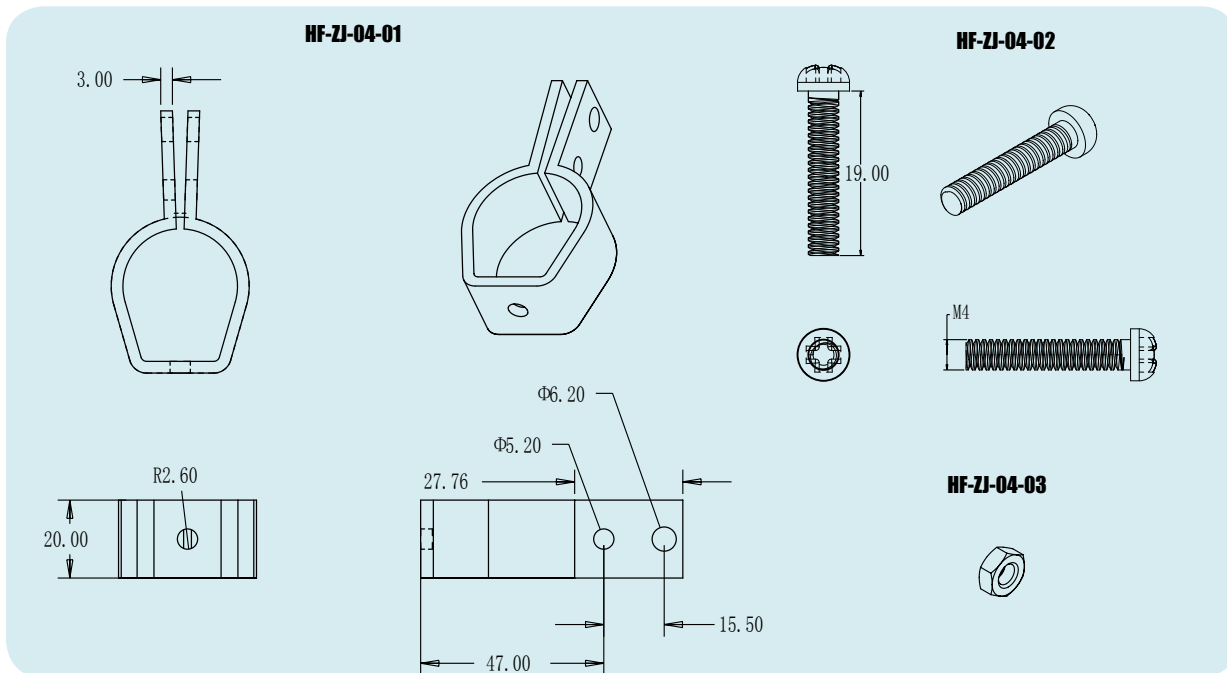
customers could directly order this bracket through model NO.ALF-ZJ-03, if wanting to mount it on electric linear actuator, should M6 inner thread hole be made on pushrod. This should be clear because it is special accessories for electric linear actuator. One bracket contains one ALF-ZJ-03-01, one ALF-ZJ-03-02, one ALF-ZJ-01-02 and ALF-ZJ-01-03.

# ALF-ZJ-04

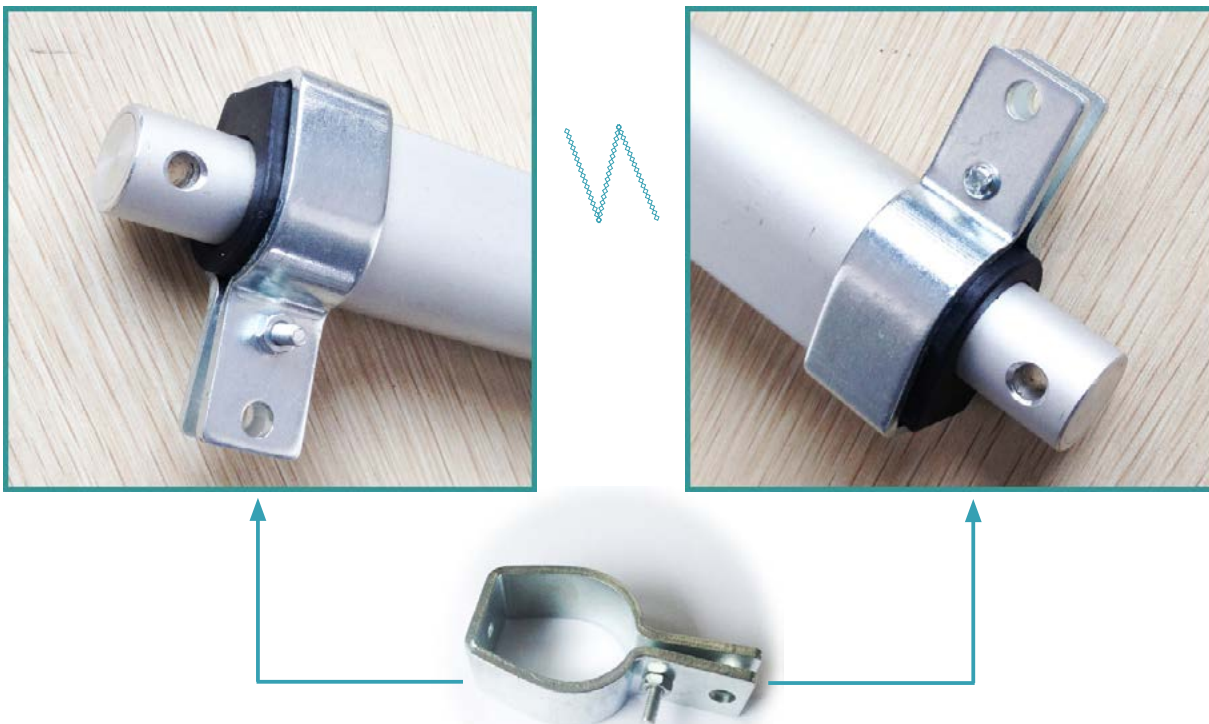
## illustration of identification

A3 material;stamping article;zin coated;3MM thick, could bearing1000N side pull-pressure, equipped with  $\phi 4$ MM long screw and nut. This bracket could used in specical conditions of actuator's mounting for saves mounting distance It matches up with AGA,AGA-DW series.

## Product drawings



## Mounting way



## order illustration

customers could directly order this bracket through modle NO.ALF-ZJ-04,should stroke be greater than 50mm if needing to mount it on electric linear actuator.It could be used under the condition that motor position has no influence on mount of bracket,This bracket is not default accessories,please note us if order. one set ALF-ZJ-04 contains one ALF-ZJ-04-01,one ALF-ZJ-04-02 and one ALF-ZJ-04-03.

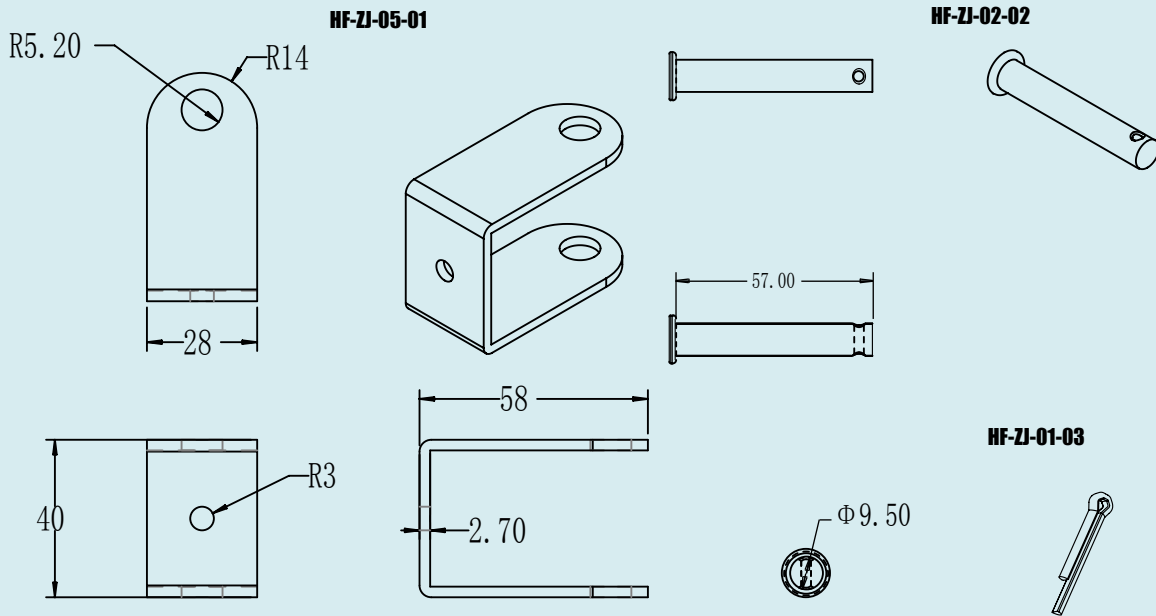


# ALF-ZJ-05

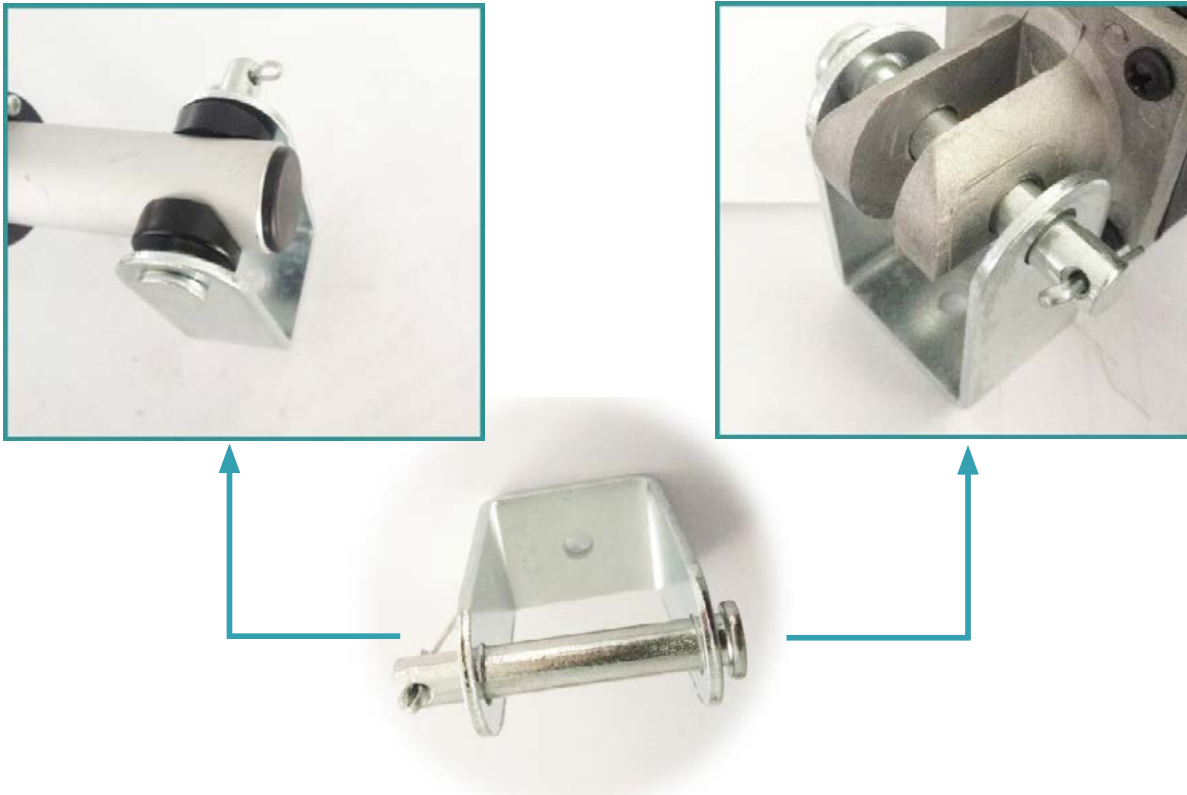
## Product introduction

Hot platen material; stamping article; PE coated; 2.7MM thick; could bearing 6000N pull or push pressure, equipped with  $\phi 9.5$ MM screw and open pin. This bracket could simplify mounting way, which changes hole mounting into surface mounting. It suits for AGB AGB-L, AGD series.

## Product drawings



## Mounting way



## Order illustration

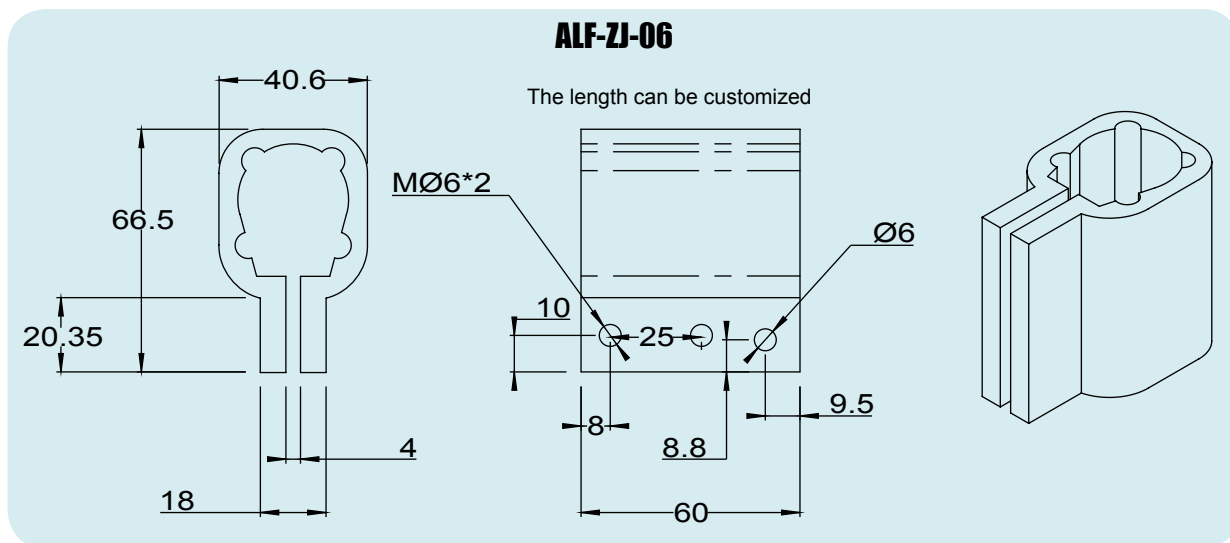
You could directly order this bracket through its model NO. ALF-ZJ-05. Should  $\phi 10$ MM through hole be made on pushrod if want to mounting it on electric linear actuator. One set ALF-ZJ-05 contains one ALF-ZJ-05-01, one ALF-ZJ-02-02, and one ALF-ZJ-01-03.

# ALF-ZJ-06

## Product introduction

Aluminium material; oxide coating; 4MM thick; could bearing 3000N side force. Because this bracket can be reprocessed and the length be cut according to customers' demands, Therefore it has no accessories. This bracket can saves mounting distance and it is suit for AGA, AGA-A, AGA-B, AGA-DW, AGA-A-DW series.

## Product drawings



## Mounting way



## order illustration

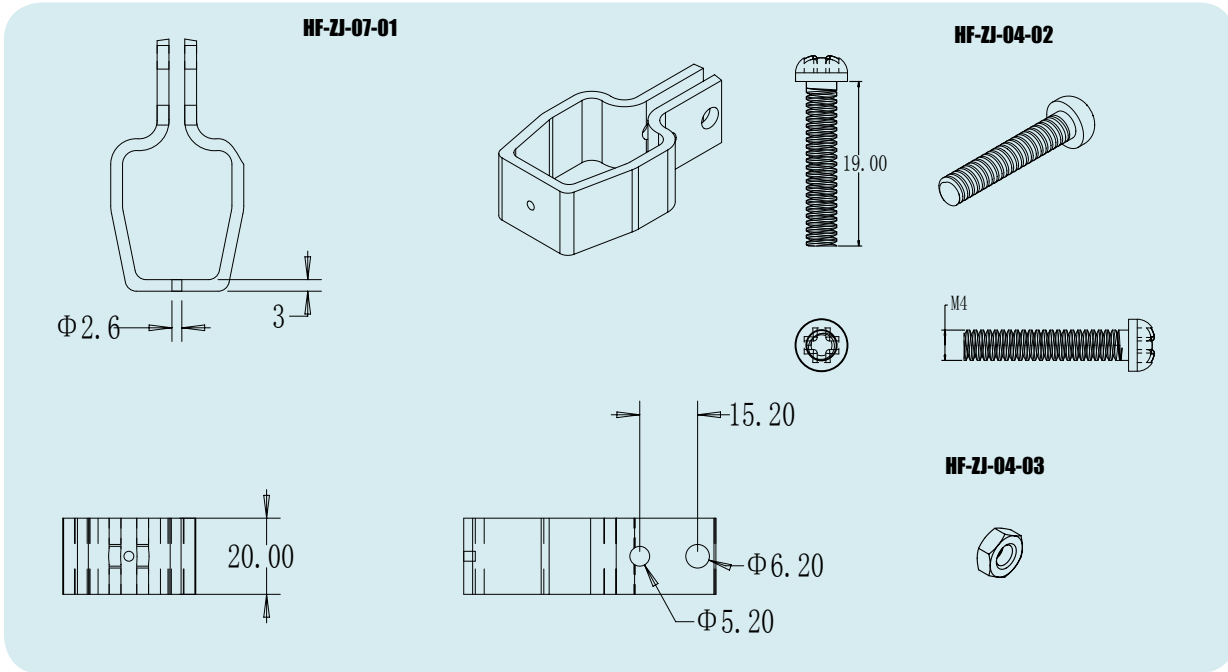
You can directly order this bracket through its model NO. ALF-ZJ-06. Should stroke be greater than 50mm in case of influence from motor position, if want to mount it on electric linear actuator. This bracket is not default accessories, please note the hole position and accessories if order.

# ALF-ZJ-07

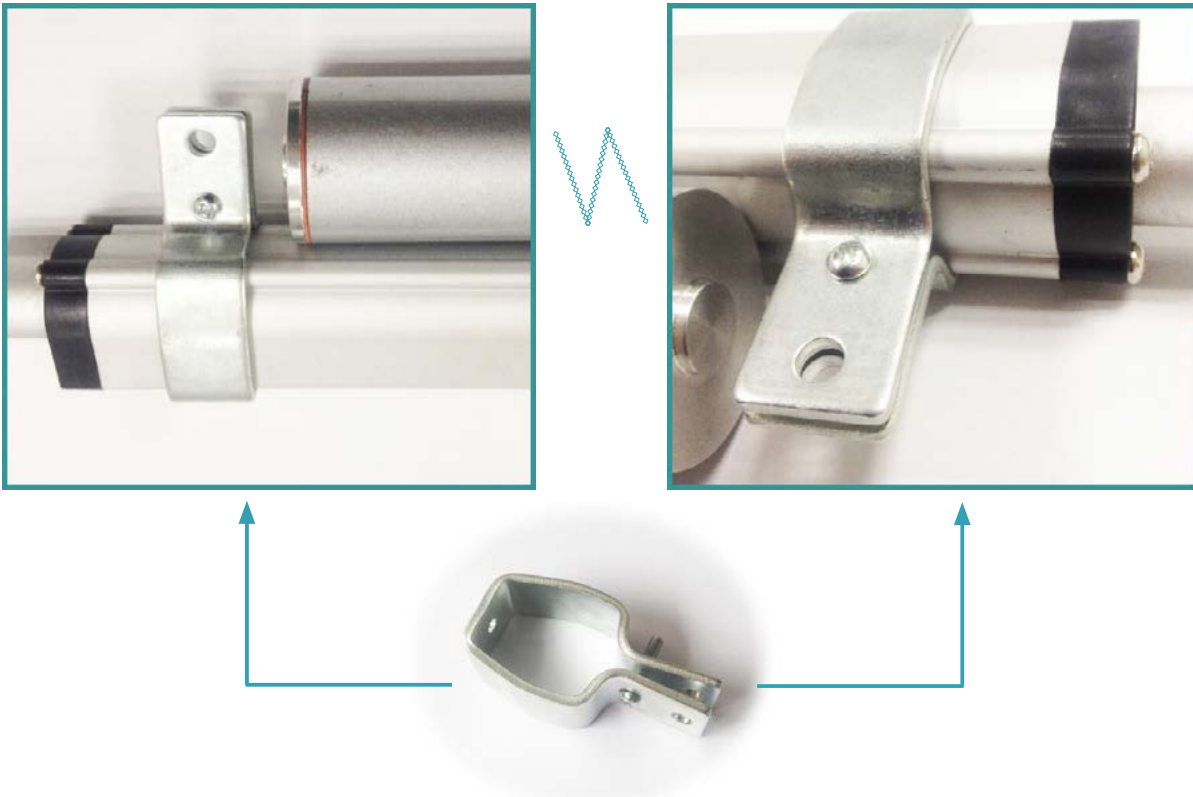
## Product introduction

A3 material, stamping article, zin coated , 3MM thick , could bearing 1000N side force, equiped with  $\phi 4$ MM long screw and nut. This bracket could meet the requirment of mounting in special conditions. It is suited for AGA-A, AGA-A-DW series.

## Product drawing



## Product and mounting way



## Order illustration

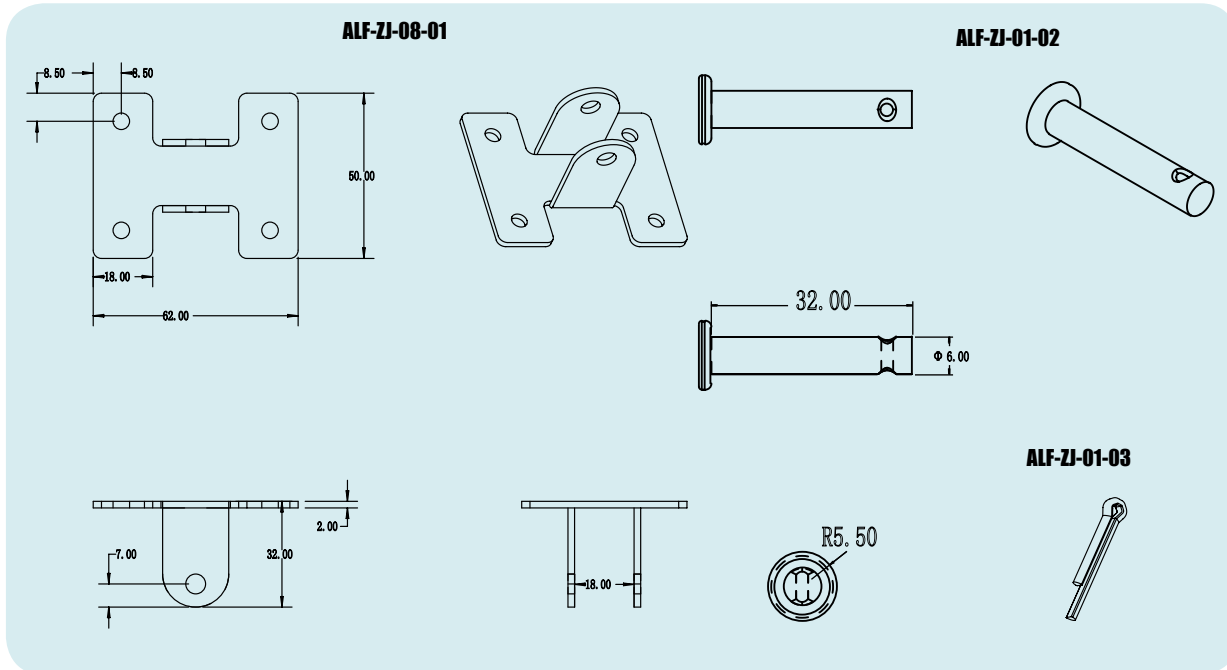
Customers could directly order this bracket through its Modle NO. ALF-ZJ-07. Should stroke be greater than 50mm in case of influence from motor position if need to install it on electric linear actuator. This bracket is not default accessories please note if order. One set bracket contains one ALF-ZJ-07-01 one ALF-ZJ-04-02 and one ALF-ZJ-04-03.

# ALF-ZJ-08

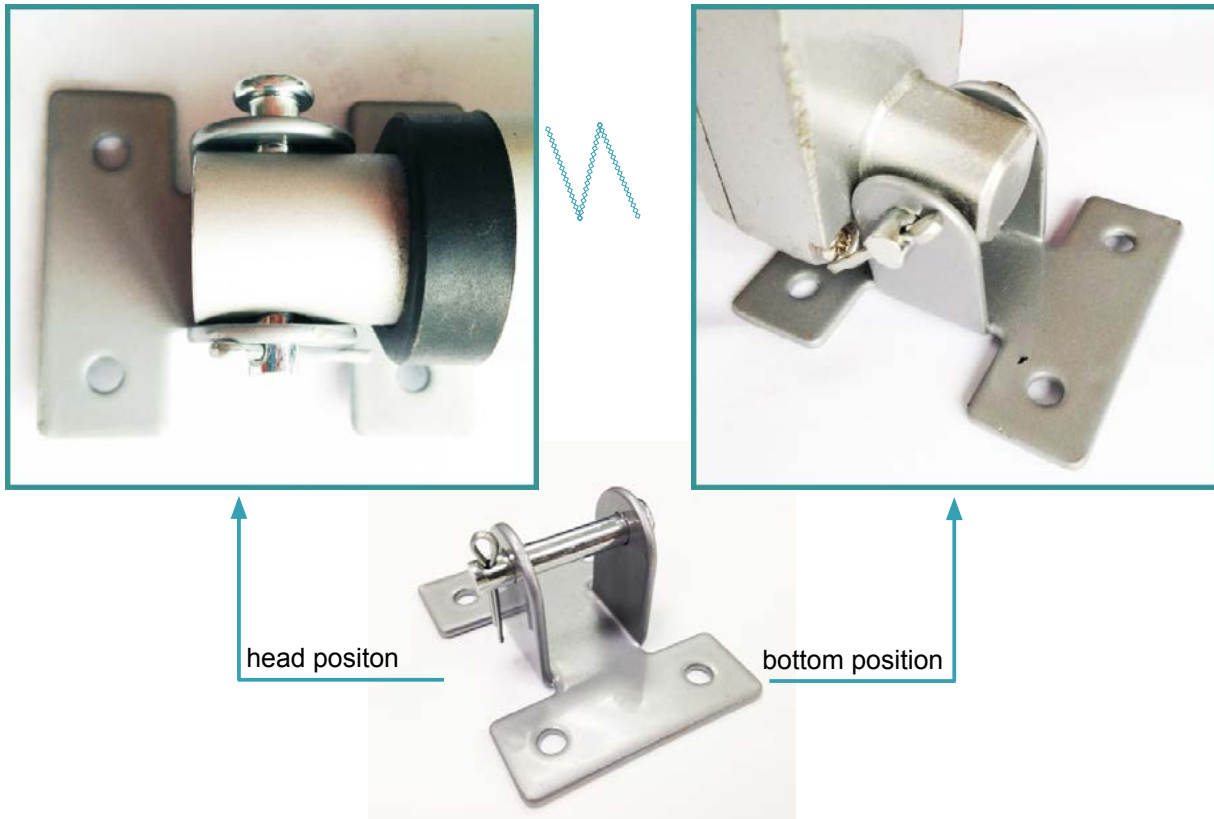
## Product introduction

A3 material; stamping article; PE coated; 2MM thick; could bearing 1200N pull or press force; Equipped with  $\phi 6$ MM screw and open pin. The bracket could simplify actuators' mounting way by changing the hole mounting into surface mounting. It suits for AGA, AGA-DW, AGA-A, AGA-B, AGA-A-DW, AGE series.

## Product drawings



## mounting way



## Order illustration

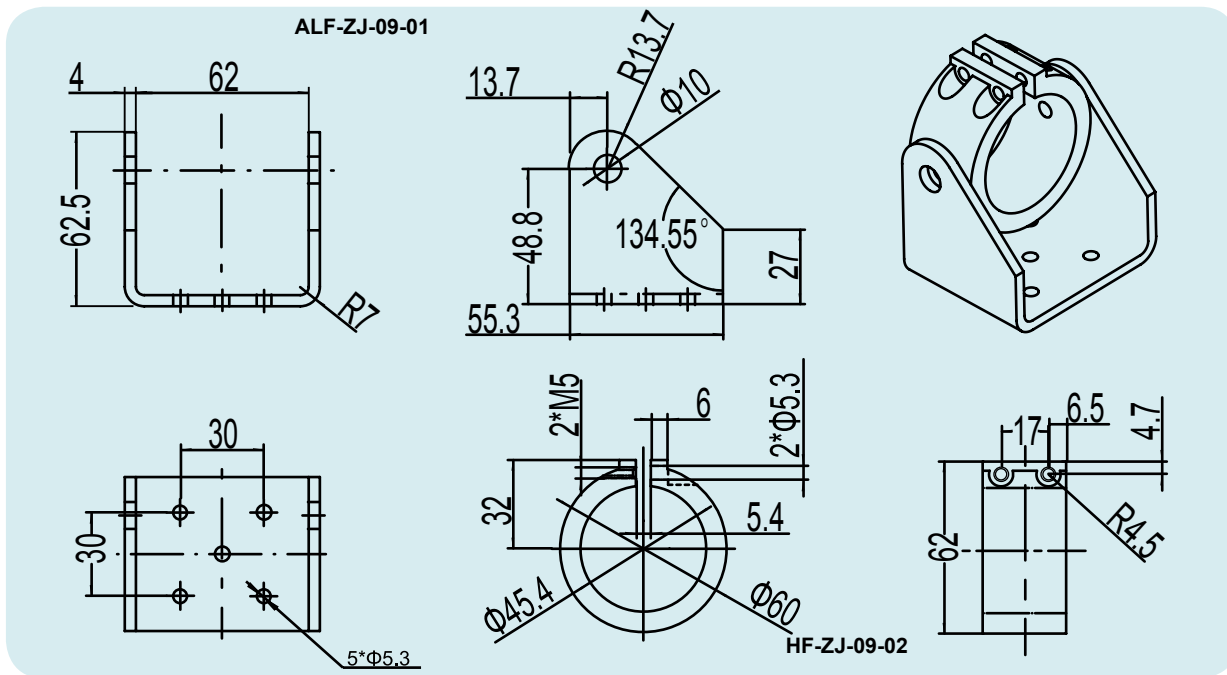
You could directly order this bracket through its model NO. ALF-ZJ-08. Should  $\phi 6$ mm through hole be made on pushrod if needing to mount it on electric linear actuator. This bracket set is default accessories that contains ALF-ZJ-08-01, one ALF-ZJ-01-02 and one ALF-ZJ-01-03.

# ALF-ZJ-09

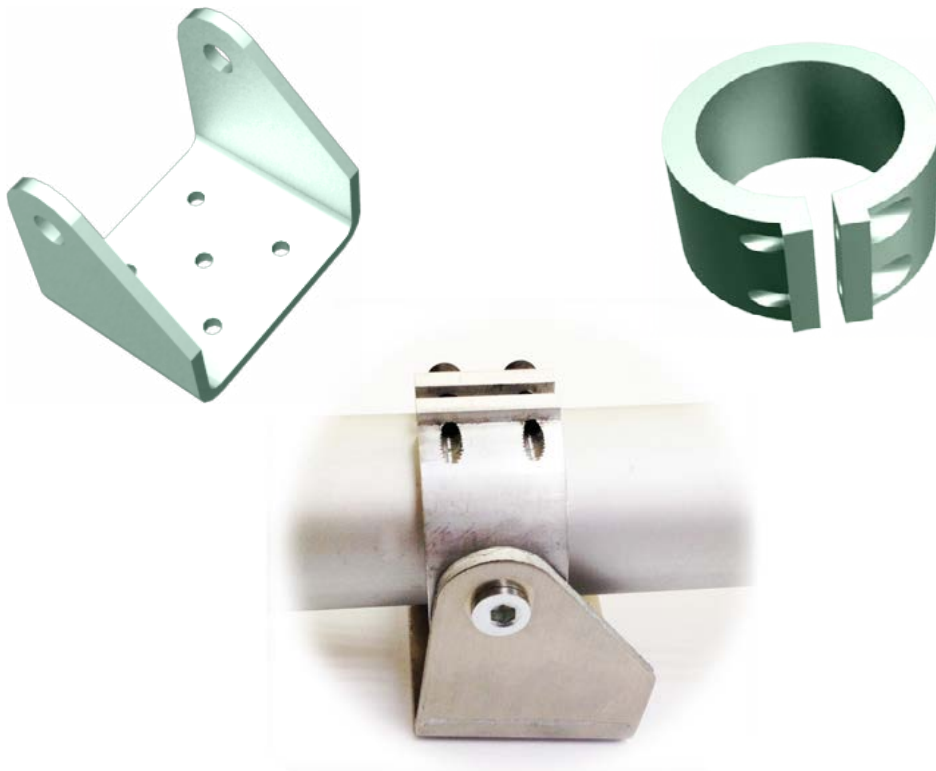
## product introduction

Pure aluminium material; stamping and tensile aluminium article; min thick 4MM; Could bearing 2000N side force; This bracket is directly applied on AGE series. Hoop mounting way could efficiently shorten the installation size to reduce the difficulty of mounting electric linear actuator of AGE series on windows or other devices requiring fixed distance.

## Product drawings



## Product and mounting way



## Order illustration

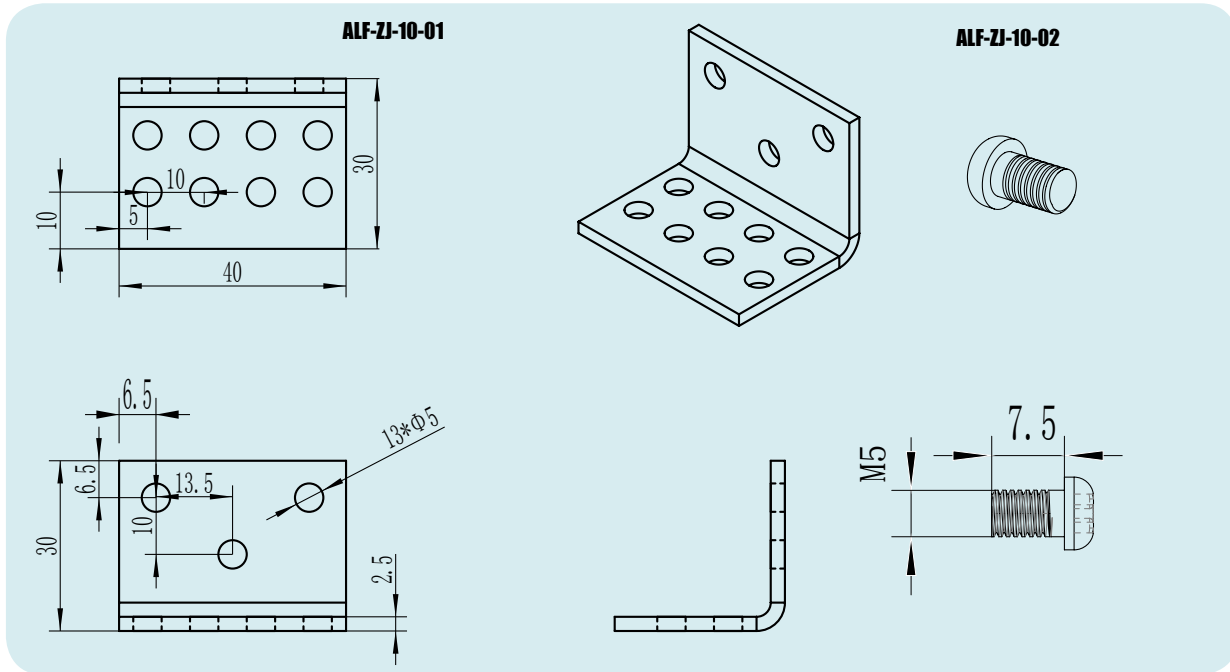
You could directly order this bracket through its model NO. ALF-ZJ-09. This type of bracket contains one ALF-ZJ-09-01, one ALF-ZJ-09-02, two M5 internal six angle screws and two M6 internal six angle screws.

# ALF-ZJ-10

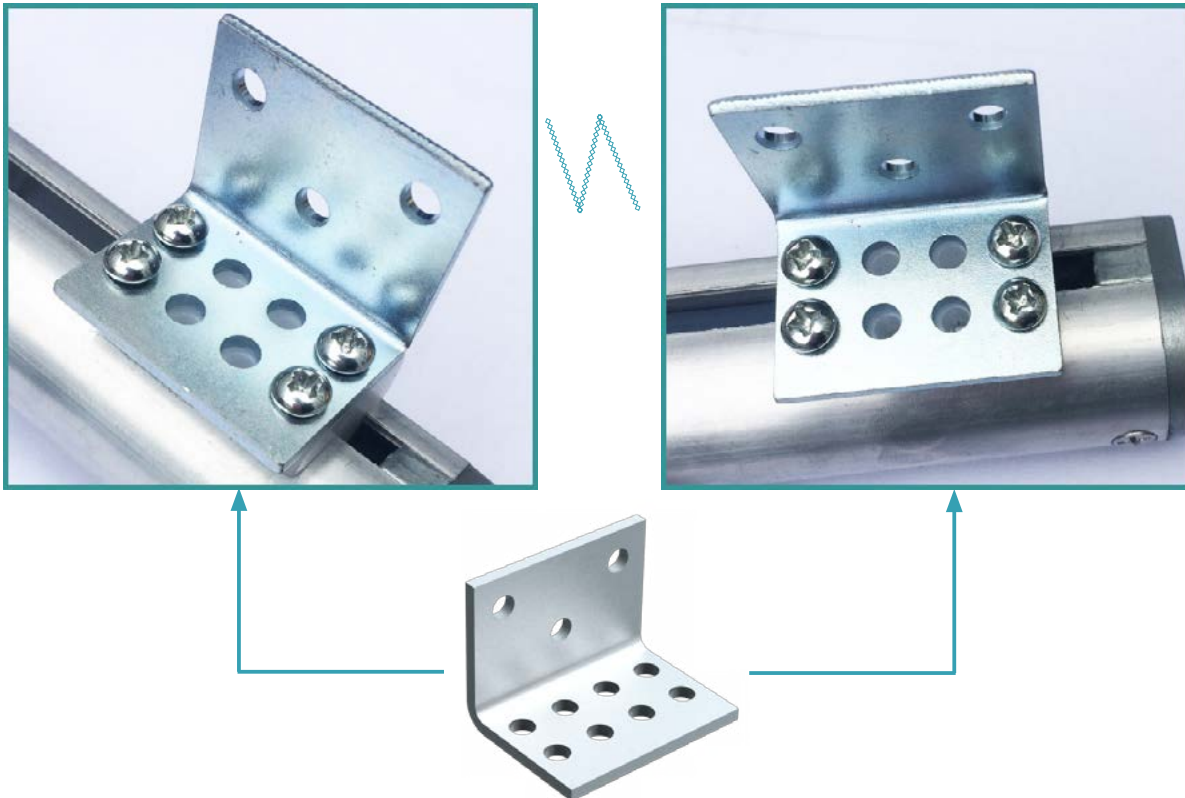
## Product specification

A3 material, stamping artical, Galvanized processing, thick 2.5MM, 200KG pull or push load, equipped with M5 tapping screw, to match up with the special nut of ALF-AGA-H

## Product drawing



## Product and mounting way



## Order illustration

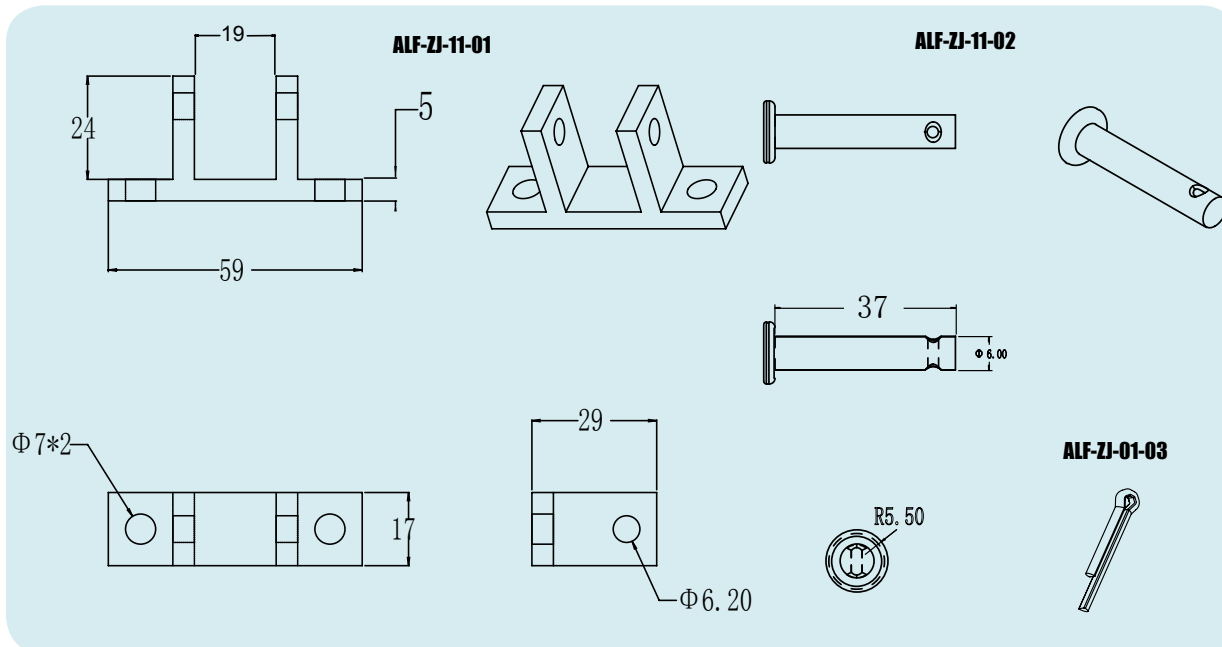
You can directly order the bracket by its model No. ALF-ZJ-10. This set bracket includes one ALF-ZJ-10-01 and four ALF-ZJ-10-02, it is the standard brackets for ALF-TGA-H

# ALF-ZJ-11

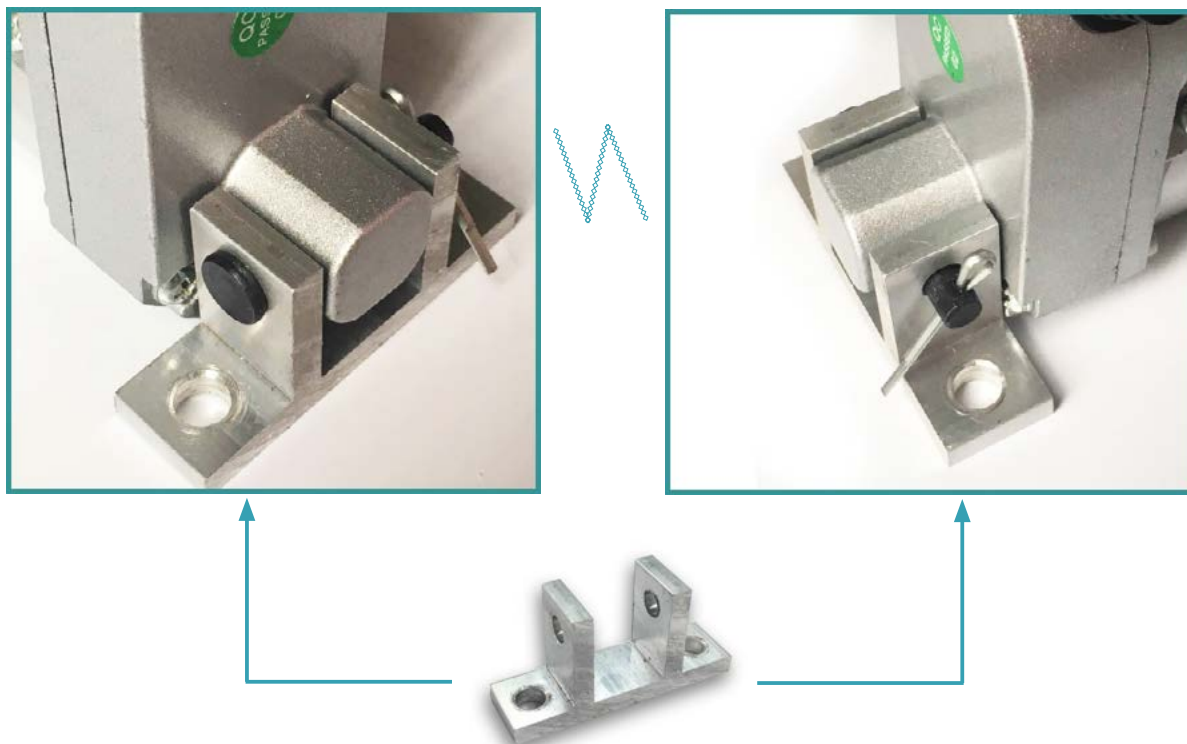
## Introduction of mounting bracket

Aluminium alloy material, 5MM thickness, 400KG load; width is customized; mounted at the bottom of AGA AGA-A, AGA-DW, AGA-A-DW, AGA-X, AGA-Y type actuator; unable to rotate. it suits AGA-H type, making it work smoothly.

## Product drawing



## Mounting way



## order illustration

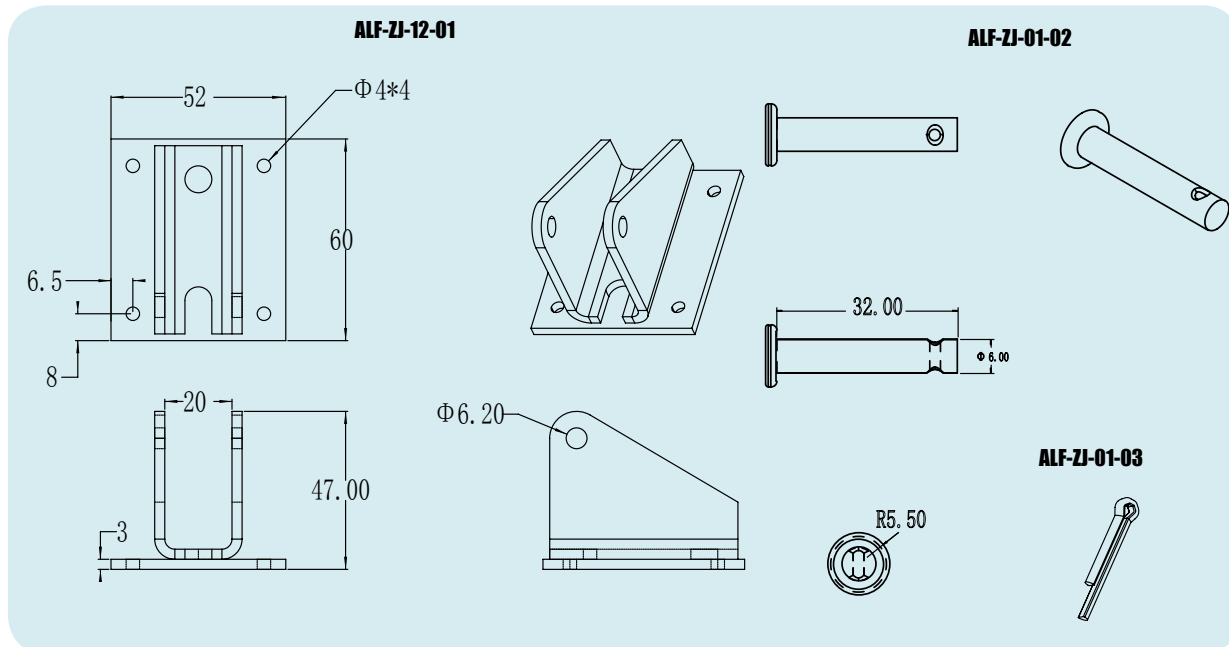
You can directly order this bracket via its model number ALF-ZJ-11. It includes one ALF-ZJ-11-01, one ALF-ZJ-11-02 and one ALF-ZJ-01-03.

# ALF-ZJ-12

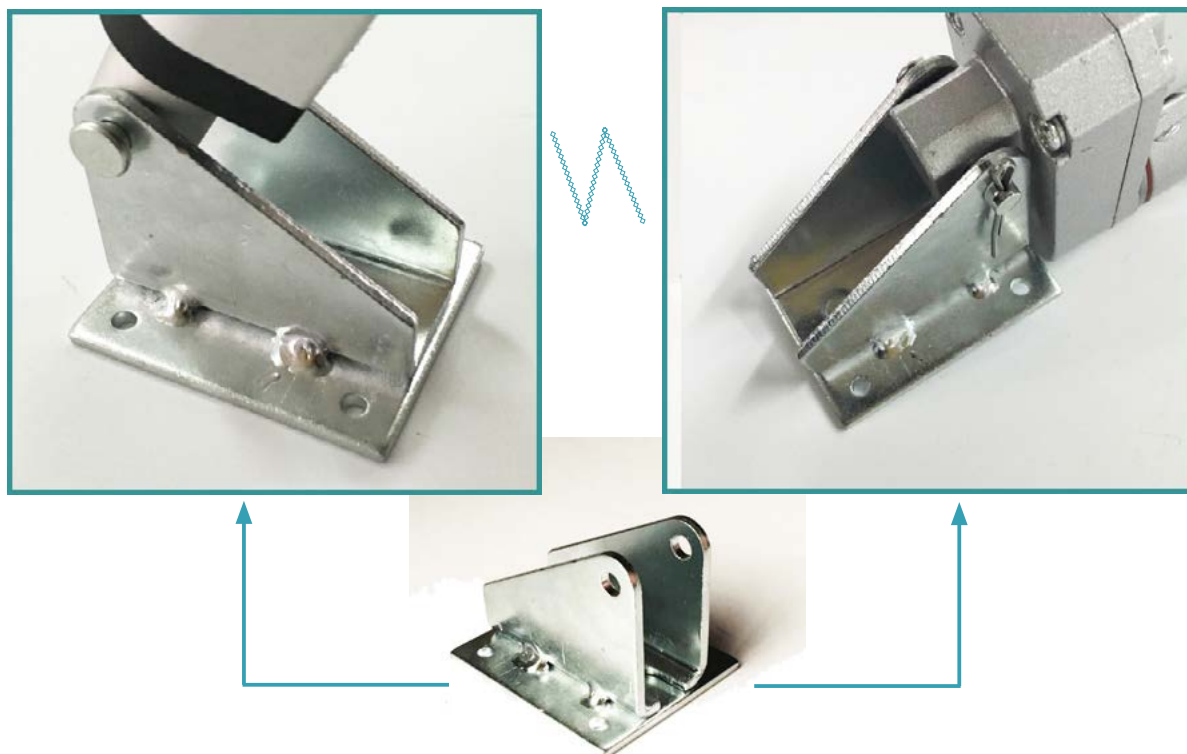
## Introduction of mounting bracket

A3 material; stampings; surface spray treatment; 3MM thickness; 250KG load; Locked by 6MM Pin roll. This bracket will simplify the mounting of actuator. Match up with AGA, AGA-DW, AGA-A, AGA-B, AGA-A-DW, AGE type actuator,

## Product drawing



## Mounting way



## order illustration

You can directly order via its model number: ALF-ZJ-12. This bracket includes one ALF-ZJ-12-01, one ALF-ZJ-1-02 and one ALF-ZJ-01-03.

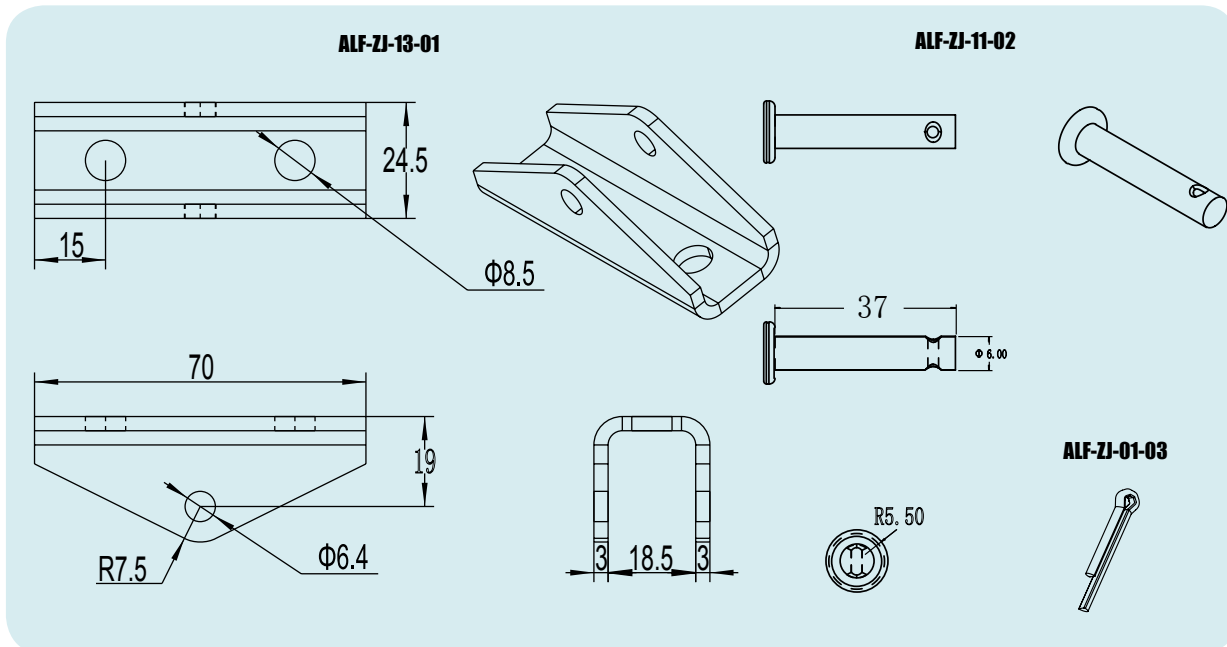


# ALF-ZJ-13

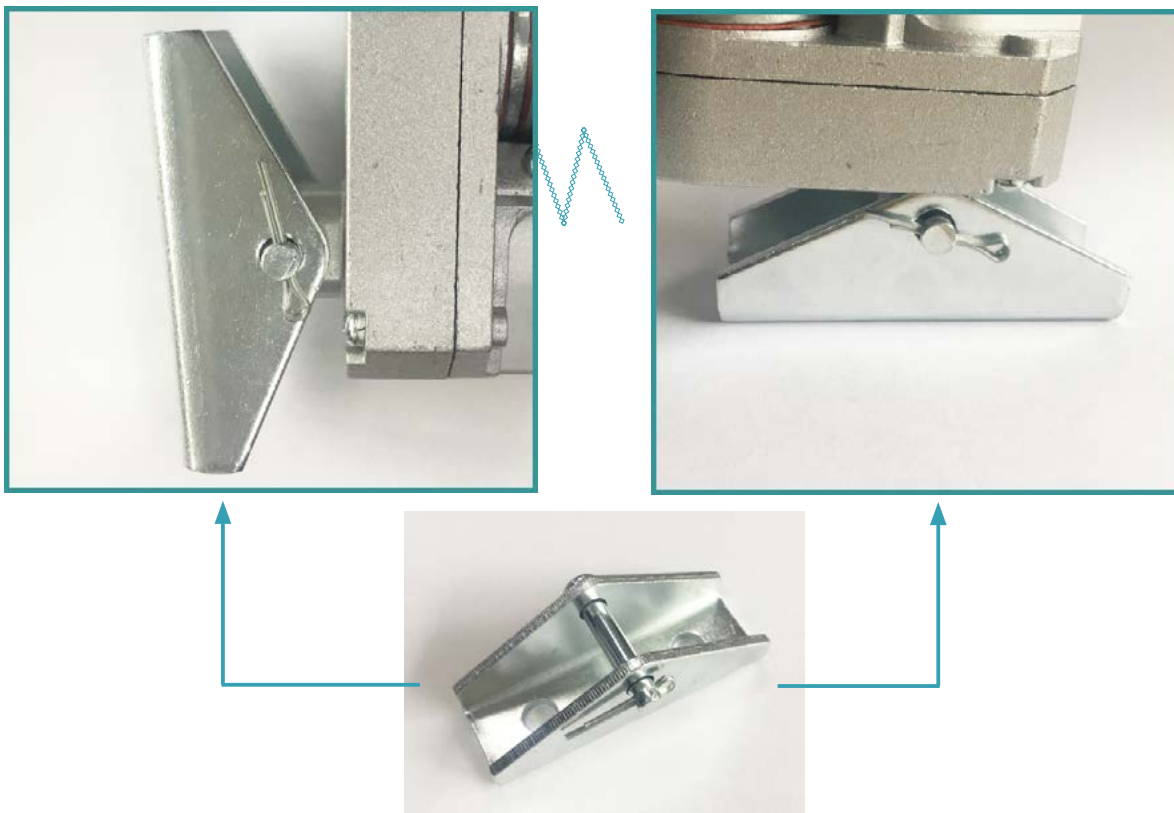
## Introduction of mounting bracket

A3 Material, power coating, 3MM thickness, 250KG load beared, match up with 6MM pin, suitable for AGA / AGA-A / AGA-DW / AGA-A-DW / AGA-X / AGA-Y.

## Product drawing



## Mounting way



## order illustration

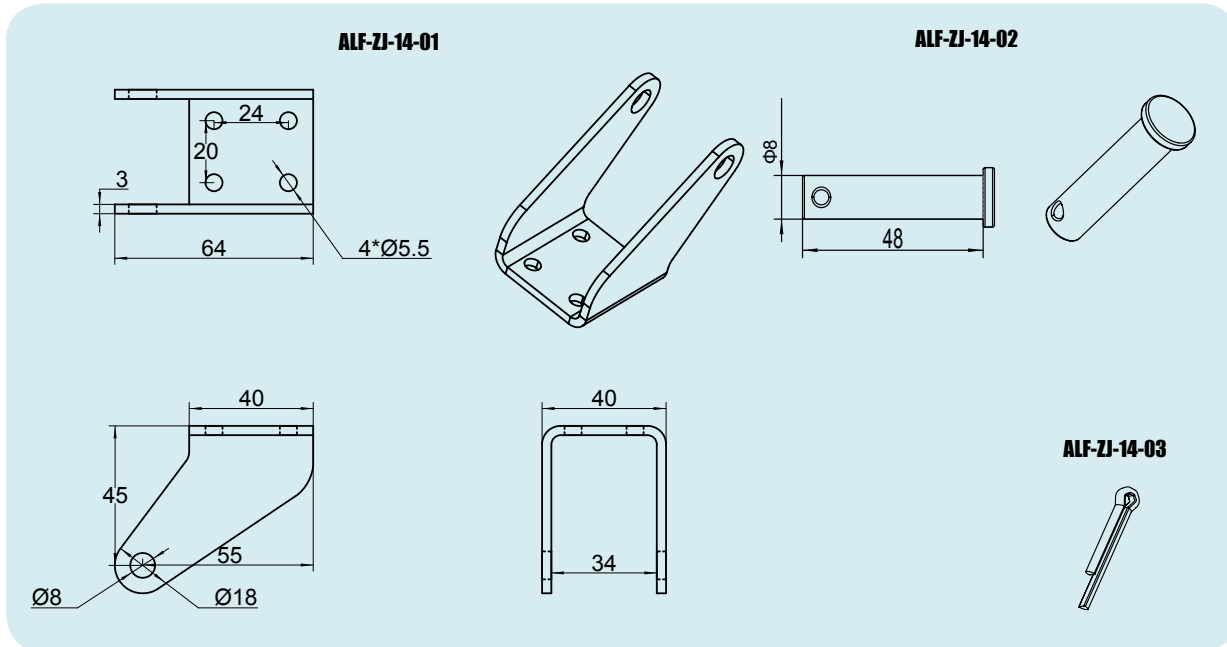
Directly order by the item ALF-ZJ-13. it includes one ALF-ZJ-13-01, one ALF-ZJ-01-02 and one ALF-ZJ-01-03.

# ALF-ZJ-14

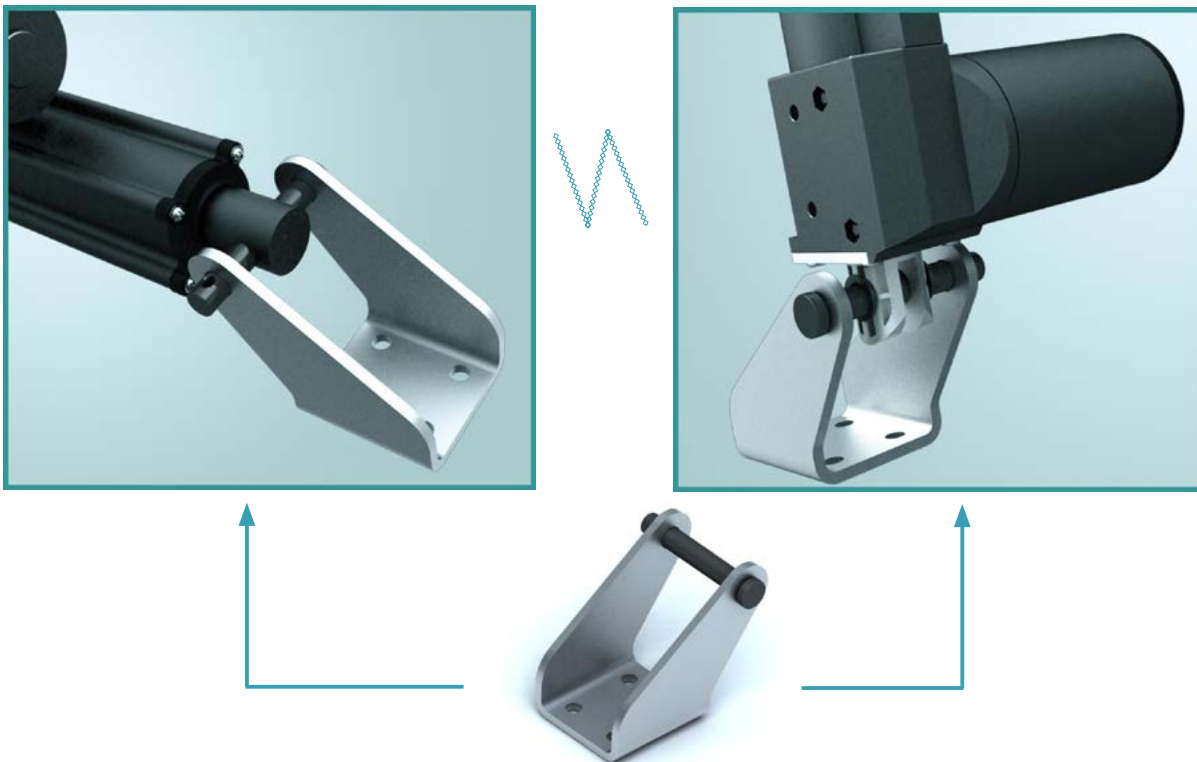
## Model Description

A3 material, stamping product, surface plating treatment, thickness 3MM, can withstand 100KG pull or pressure, standard diameter 8MM pin and cotter pin, can be used with AGF, AGF-A, AGB, telescopic tube and tail pull, durable and Easy to use.

## Product drawings



## Product and use photos



## Ordering Instructions

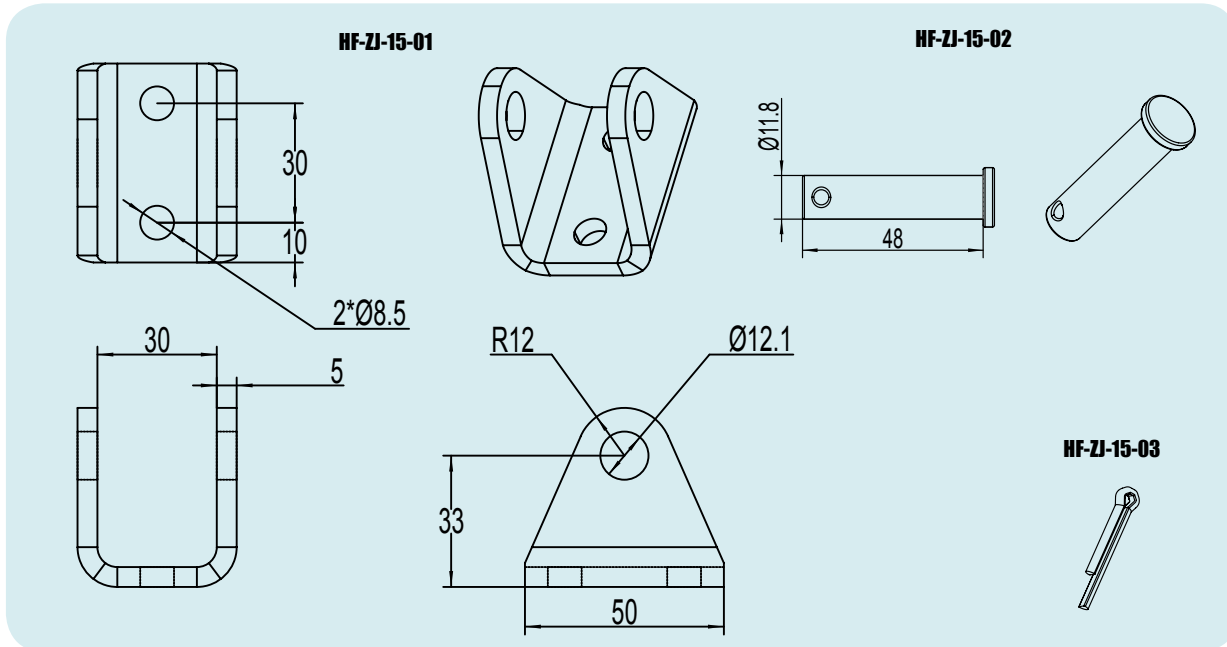
You can directly use the model ALF-ZJ-14 to order this accessory, this bracket includes one ALF-ZJ-14-01, one ALF-ZJ-14-02, and one ALF-ZJ-14-03.

# ALF-ZJ-15

## Introduction of mounting bracket

A3 materials, stamping products, surface plating, 5MM thickness, can withstand 1000KG pull or pressure, standard  
With 12MM diameter pin shaft and split pin, it can be used with AGC, AGC-A, AGQ, telescopic tube and tail-pull, which is cheap.

## Product drawing



## Mounting way



## order illustration

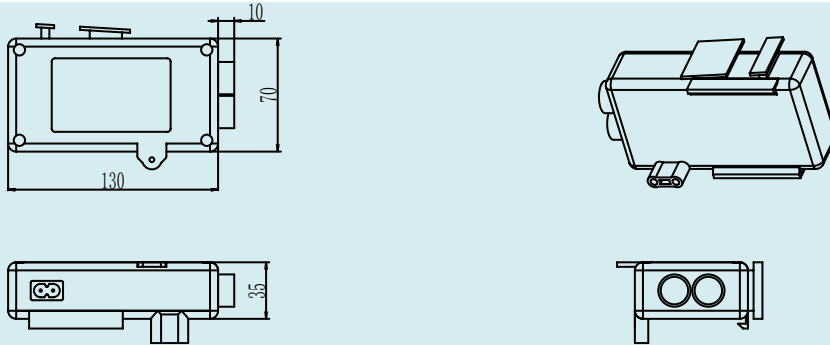
You can order the accessories directly with model ALF-ZJ-15, which includes one ALF-ZJ-15-01, one ALF-ZJ-15-02, and one ALF-ZJ-15-03.

# HF-1KY-01

## PARAMENTERS

Input voltage: 100-240V~,50/60Hz;Output power;DC 29V/2A;Max 6A;Stand-by power consumption;<1W;Protection method;Over-current protection;Short-circute protection;Over-heat protection;Outer Plastic material;Black ABS; One-for-One motor controller.

## DIMENSIONAL DRAWING



## PHOTOGRAPH



## HOW TO ORDER

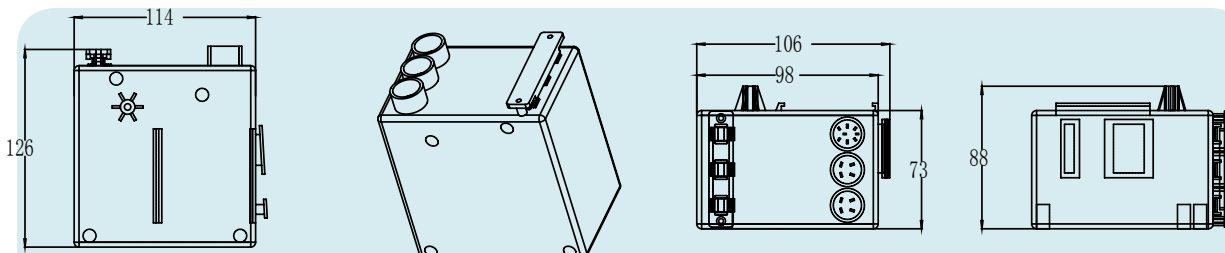
You can directly order via its modle number-HF-1KY-01,Including a hand stick,only one voltage option,need four pins cable.

# HF-2KY-01

## PARAMENTERS

Input voltage: 240V~,50/60Hz; Outer voltage:DC 29V 50VA;Protection method;Over-Load protection;Material:Black ABS;It could control two actuators.

## DIMENSIONAL DRAWING



## PHOTOGRAPH

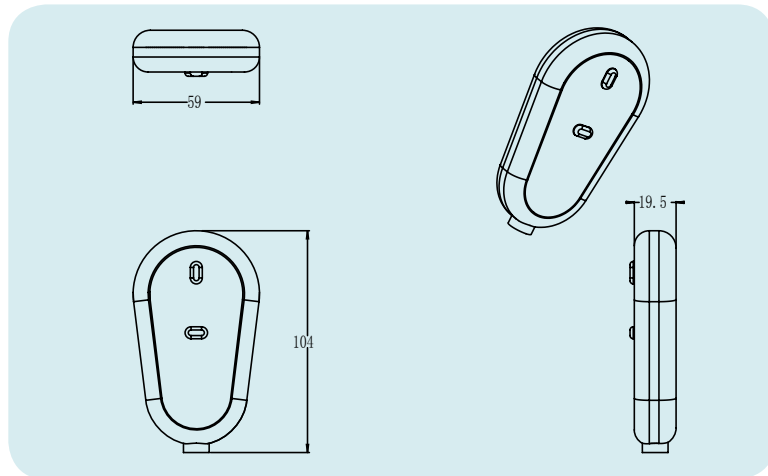


## HOW TO ORDER

You can directly order via its modle number-HF-1KY-02,Including a hand stick,only one voltage option,need four pins cable. .

# ALF-1HY-01

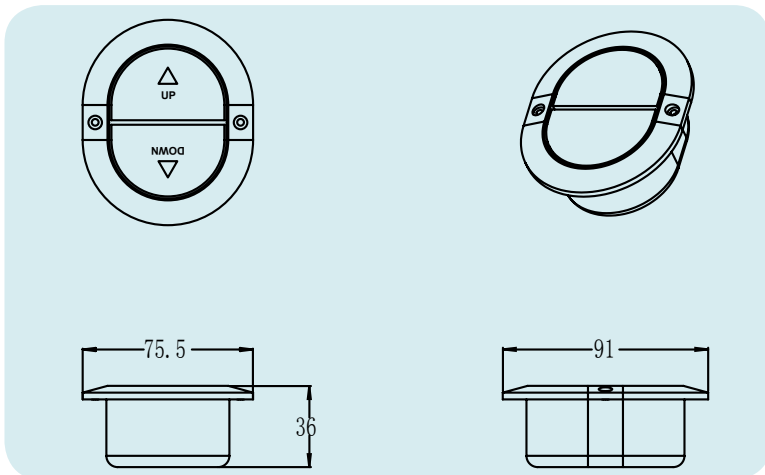
## PARAMENTERS



Single motor handset, Supporting the use of ALF-1KY-01, or ALF-1KW-01. Jog mode. z

# ALF-1HY-02

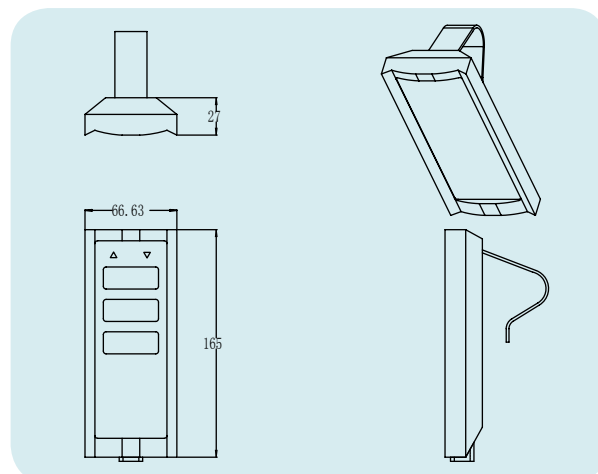
## PARAMENTERS



Roundness single motor handset, supporting the use of ALF-1KY-01 or ALF-1KW-01. Jog mode.

# ALF-2HY-01

## PARAMENTERS



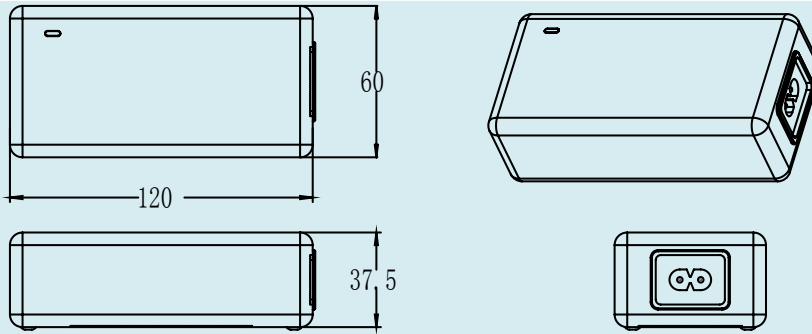
Two motor handset. supporting the use of ALF-2KY-01. 4 buttons or 6 buttons is optional. Jog mode.

# HF-1KW-01

## PARAMENTERS

Input Voltage: 100-240V~,50/60Hz;output voltage;DC 29V/2A(Max 6A);Stand-by power consumption:<1W;Protection Method:Over-current protection,short circute protection,Overheat protection;Material:Black ABS; Frequency:2.4GHz.; IR distance:20-50M; Code way:power on code.

## DIMENSIONAL DRAWING



## PHOTOGRAPH



## HOW TO ORDER

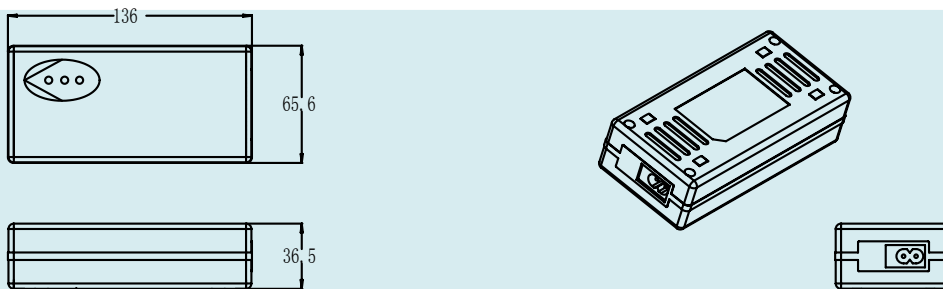
You can directly order via its Modle number HF-1KW-01.It includes one hand stick,it could match up with HF-HY-01. 01 male plug is necessary for the product.

# HF-2KW-01

## PARAMENTERS

Input voltage: 100-240V~,50/60Hz;output voltage;DC 29V/2A(Max 6A);stand-by power consumption:<1W;Protection method:over current protection,short circute protection,overheat protecion;Material:Black ABS+PC;Frequency:2.4GHz.; IR distance:20-50M. Code way: button-pushing

## DIMENSIONAL DRAWING



## PHOTOGRAPH

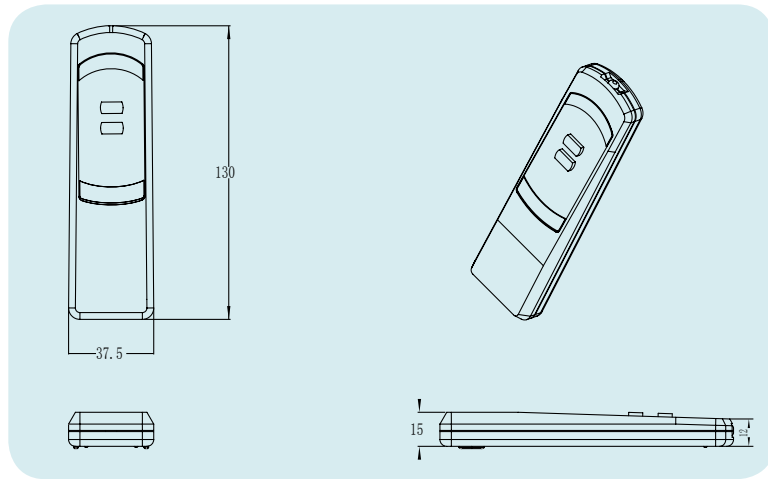


## HOW TO ORDER

You can directly order this controller via its modle number HF-2KW-01□it includes a HF-HW-02 handstick. HF-HW-03 handstick is also available.12V or 29VDC . 01 male plug is necessary for the product.

# ALF-1HW-01

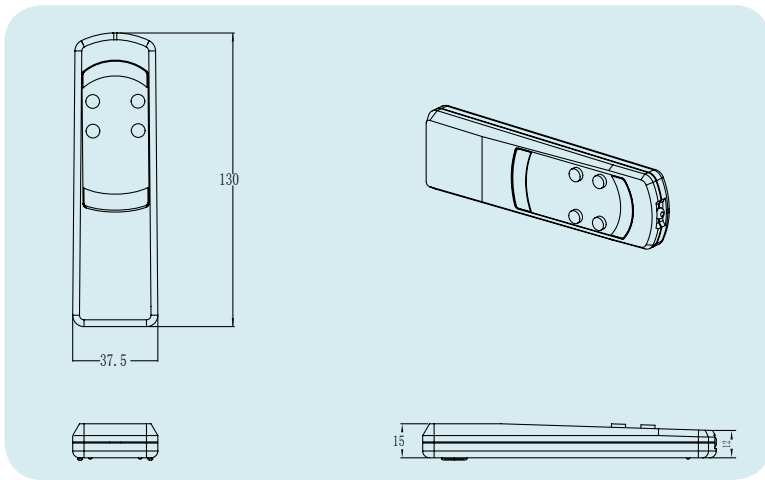
## PARAMENTERS



One motor wireless handset, supporting the use of HF-1KW-01, Default Jog mode, linkage mode is available.

# ALF-2HW-01

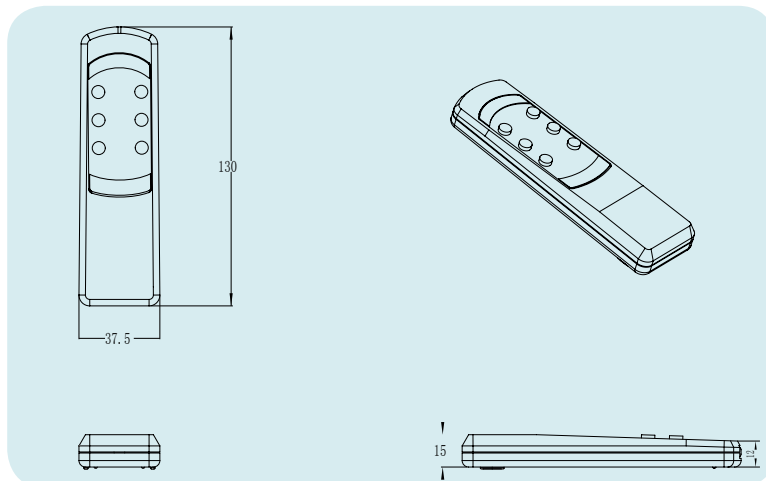
## PARAMENTERS



Two motor wireless handset. Supporting the use of HF-2KW-01. Jog mode, Lingkage mode is availalbe.

# ALF-2HW-02

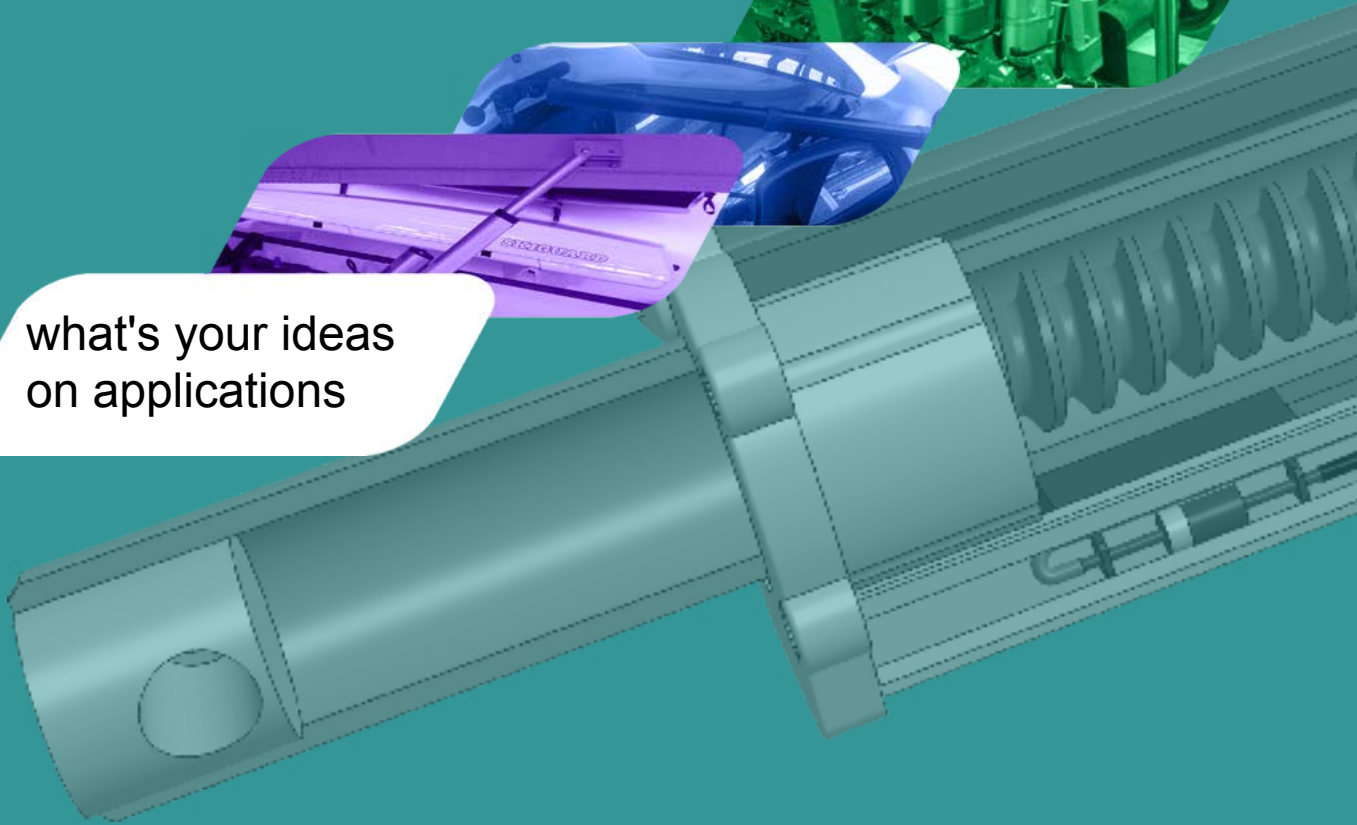
## PARAMENTERS



Two motor wireless handset.supporting the use of HF-2KW-01.above two pairs are jog buttons,the third is double action buttons. it is powered by two 7-battery.



what's your ideas  
on applications



## ALF Motion Control

Add:319/33, INDUSTRIAL GOODS DISTRIBUTION CENTER,  
30,37th STR,  
BANGCHUK-RO, DONG-GU, INCHEON,22530,KOREA

Tel)+82-32-213-0093, Fax) +82-32-232-1753

Mobile)+82-10-7511-0093